



The L9 (1.6/5.6 75Ω) series are screw coupling miniature coaxial connectors, which are developed and manufactured according to the specifications of IEC 1169-13, CECC 22240 and Din 47295. They have the characteristics of small size, high mechanical and electrical stability, and used in many types of communication equipments.

TECHNICAL CHARACTERISTICS

Environmental

Temperature range	-40~+85°C
-------------------	-----------

Electrical Characteristics

Characteristic impedance	75Ω
Working voltage	330V
Frequency range	0-1GHz
Dielectric withstanding voltage	1000V
Contact resistance	Center contact: ≤10mΩ, Outer contact: ≤5mΩ
Insulation resistance	≥10000MΩ

Material and Plating

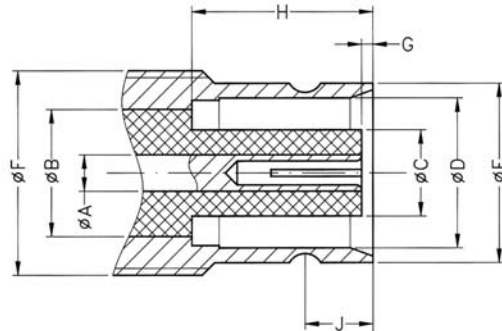
Body	Brass, gold/nickel plated
Male center contacts	Brass, gold plated
Female center contacts	Beryllium copper, gold plated
Insulators	PTFE
Crimp ferrules	Copper alloy, gold or nickel plated

Mechanical Characteristics

Durability	500 cycles
------------	------------

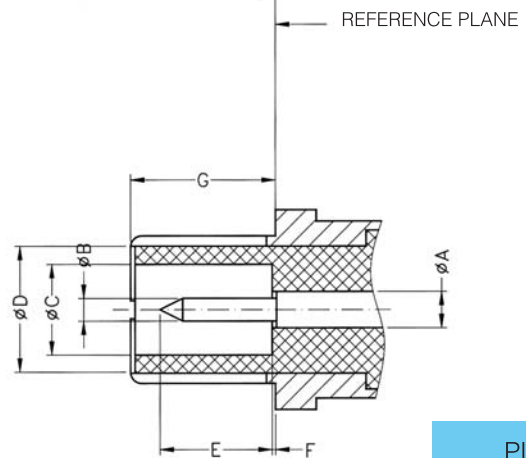
INTERFACE MATING DIMENSIONS

Letter	JACK(mm)	
	Minimum	Maximum
A	–	1.60
B	–	5.60
C	–	3.80
D	6.60	6.69
E	8.10	8.25
F	–	M9 × 0.5
G	0.25	–
H	6.70	–
J	2.90	3.10



JACK

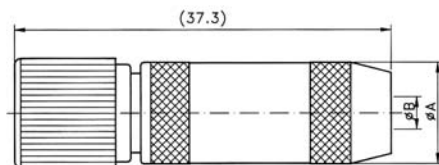
Letter	PLUG(mm)	
	Minimum	Maximum
A	–	1.60
B	0.97	1.03
C	4.00	–
D	–	5.60
E	–	5.50
F	–	0.15
G	6.40	6.60



PLUG

Flexible Cable Connectors

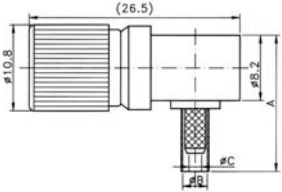
Straight Cable Plug, M03



Part Number	Module	Cable Group	Remark
R76100	L9-75J2.5	2.6/75S	A=10.0 B=2.9
R76101	L9-75J3	3/75S	A=10.0 B=3.2
R76102	L9-75J4	4/75S	A=10.0 B=4.3
R76103	L9-75J4D	4/75D	A=10.0 B=4.3
R76104	L9-75J5	5/75S	A=10.0 B=5.3
R76105	L9-75J2.5A	2.6/75S	A=9.8 B=2.9
R76106	L9-75J3A	3/75S	A=9.8 B=3.2
R76107	L9-75J4A	4/75S	A=9.8 B=4.3
R76108	L9-75J4DA	4/75D	A=9.8 B=4.3
R76109	L9-75J5A	5/75S	A=9.8 B=5.3

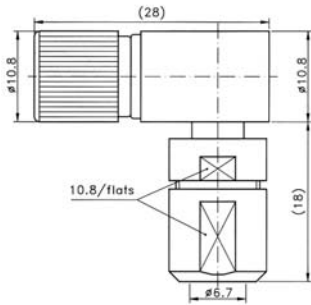
Flexible Cable Connectors

Right Angle Cable Plug, M04



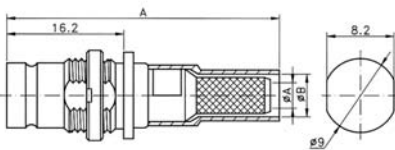
Part Number	Module	Cable Group	Remark
R76801	L9-75JW2.5Y	2.6/75S	A=18.7 B=2.8 C=1.6
R76802	L9-75JW3Y	3/75S	A=18.7 B=3.1 C=1.6
R76803	L9-75JW4Y	4/75S	A=19.2 B=4.0 C=2.1
R76804	L9-75JW5Y	5/75S	A=21.2 B=5.2 C=3.1

Right Angle Cable Plug, Clamp



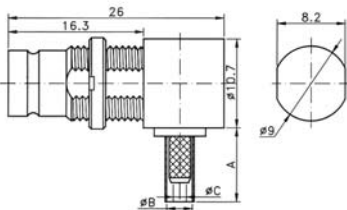
Part Number	Module	Cable Group	Remark
R76805	L9-75JW6.5	6/75S	

Straight Bulkhead Cable Jack, M03



Part Number	Module	Cable Group	Remark
R76110	L9-75KY2.5Y	2.6/75S	A=33.8 B=2.8 C=1.5
R76111	L9-75KY3Y	3/75S	A=33.8 B=3.1 C=1.6
R76112	L9-75KY4Y	4/75S	A=35.3 B=4.2 C=2.1
R76113	L9-75KY5Y	5/75S	A=37.3 B=5.3 C=3.1

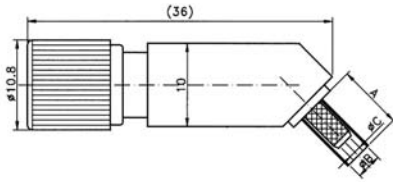
Right Angle Cable Jack, M04



Part Number	Module	Cable Group	Remark
R76806	L9-75KYW3Y	3/75S	A=20.7 B=3.1 C=1.6
R76807	L9-75KYW4Y	4/75S	A=21.7 B=4.0 C=2.1
R76808	L9-75KYW5Y	5/75S	A=23.7 B=5.2 C=3.1

Flexible Cable Connectors

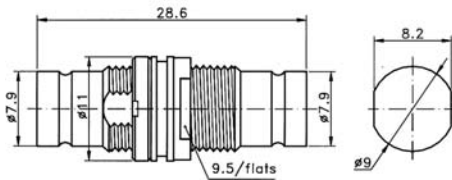
45 Degree Cable Plug, M04



Part Number	Module	Cable Group	Remark
R76114	L9-75JV3.5DY	BT3002	A=10.0 B=3.8 C=2.1
R76115	L9-75JV6.5DY	BT2003	A=13.0 B=7.0 C=4.4

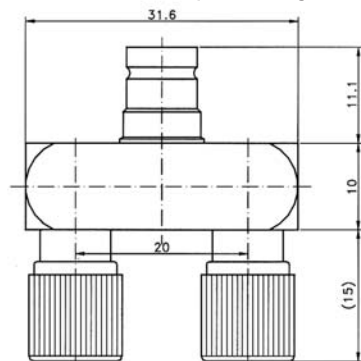
In Series Adapters

Straight Bulkhead Jack to Jack



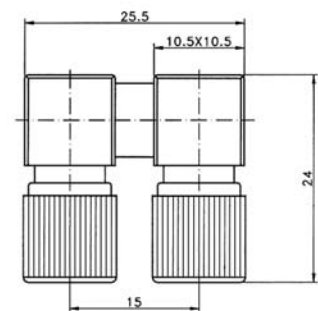
Part Number	Module	Remark
R76116	L9-75KYK	
R76117	L9-75KYKA	

U Link with Test port, Plug to Jack to Plug



Part Number	Module	Remark
R76809	L9-75JKJW	

U Link, Plug to Plug



Part Number	Module	Remark
R76810	L9-75JJWW	