

The GPO (SMP) series are snap-on self-latched coupling microminiature RF coaxial connectors which are developed for modular interconnect system with denser packaging requirements, They have the characteristics of easy connect/disconnect, low weight, vibration-proof, high frequency and high performance.

Their unique features:

- Allowing center-to center spacing of 4.32mm when mating multiple connectors.
- Accommodation of 0.51 radial and 0.25 axial misalignment especially for blindmate applications.
- An vibration-proofing of cable jacks ensures reliable mechanical performance.
- One end of the jack-to jack adapter has a higher engagement/separation force than the other consequently at separation the high force end of the adaptor will remain in one module while the low force end slide free.

TECHNICAL CHARACTERISTICS

Environmental

Temperature range	-65~+165°C
-------------------	------------

Electrical Characteristics

Characteristic impedance	50Ω
Working voltage	335V
Frequency range	0-40GHz
Dielectric withstanding voltage	1500V
Contact resistance	Center contact: ≤6mΩ, Outer contact: ≤2mΩ
Insulation resistance	≥5000MΩ
VSWR	≤ 1.10, 0~23GHz ≤ 1.15, 23~26GHz ≤ 1.40, 26~40GHz

Material and Plating

Body	Brass, gold plated or phosphor bronze, gold plated
Male center contacts	Phosphor bronze, gold plated
Female center contacts	Beryllium copper, gold plated
Insulators	PTFE
Gaskets	Glass bead
Crimp ferrules	Copper alloy, gold or nickel plated

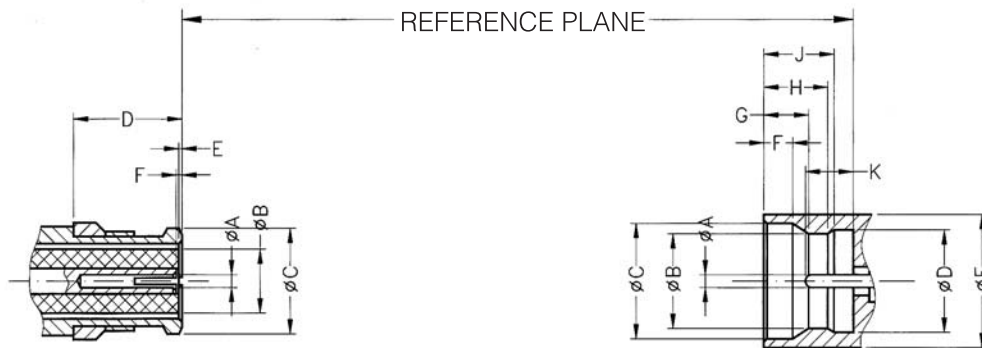
Mechanical Characteristics

Durability	100 cycles
------------	------------

INTERFACE MATING DIMENSIONS

Letter	JACK(mm)	
	Minimum	Maximum
A	-	-
B	-	-
C	-	3.43
D	3.35	-
E	-0.07	0.12
F	-0.07	0.20

Letter	PLUG(mm)	
	Minimum	Maximum
A	0.356	0.406
B	2.896	2.996
C	3.557	3.657
D	3.125	3.225
E	-	-
F	0.839	0.939
G	1.397	1.447
H	1.982	2.082
J	2.744	2.844
K	0.890	1.778

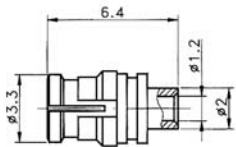


PLUG

JACK

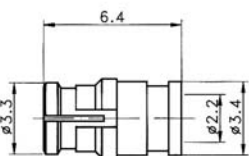
Semi-Rigid, Semi-Flexible Cable Connectors

Straight Cable Plug, M08



Part Number	Module	Cable Group	Remark
R11001	GPO-KB1	047	

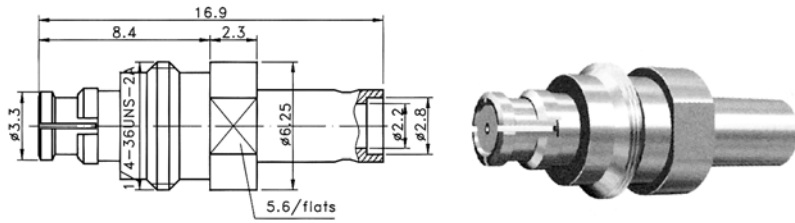
Straight Cable Plug, M08



Part Number	Module	Cable Group	Remark
R11002	GPO-KB2	085	

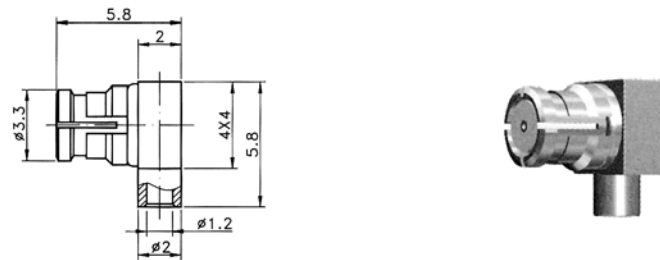
Semi-Rigid, Semi-Flexible Cable Connectors

Straight Bulkhead Cable Plug, M08



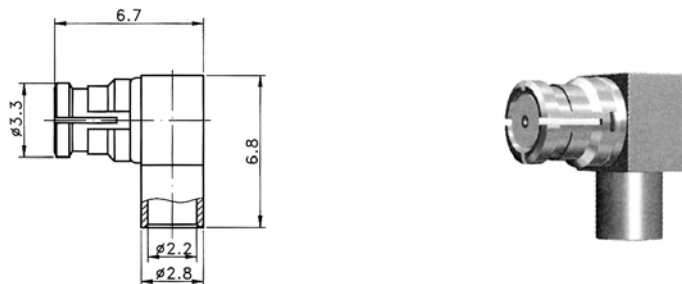
Part Number	Module	Cable Group	Remark
R11003	GPO-KYB2	085	

Right Angle Cable Plug, M09



Part Number	Module	Cable Group	Remark
R11901	GPO-KWB1	047	

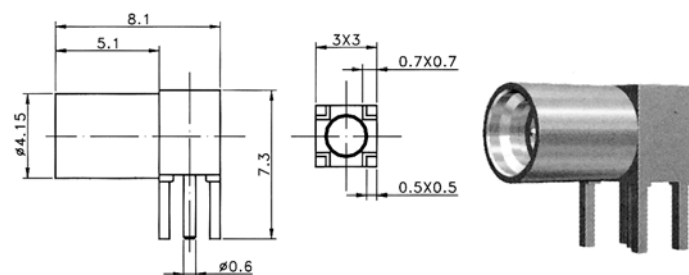
Right Angle Cable Plug, M09



Part Number	Module	Cable Group	Remark
R11902	GPO-KWB2	085	

PCB Mount Receptacle

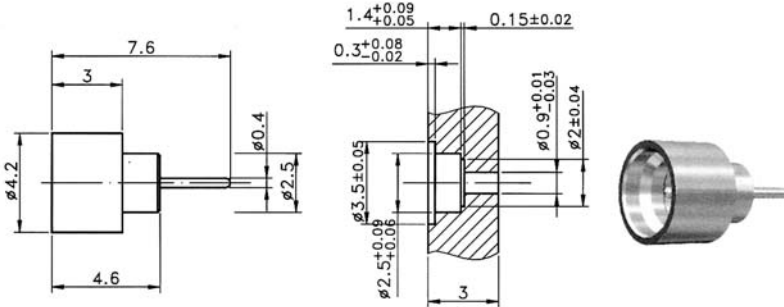
Right Angle Receptacle



Part Number	Module	Cable Group	Remark
R11903	GPO-JWHD		

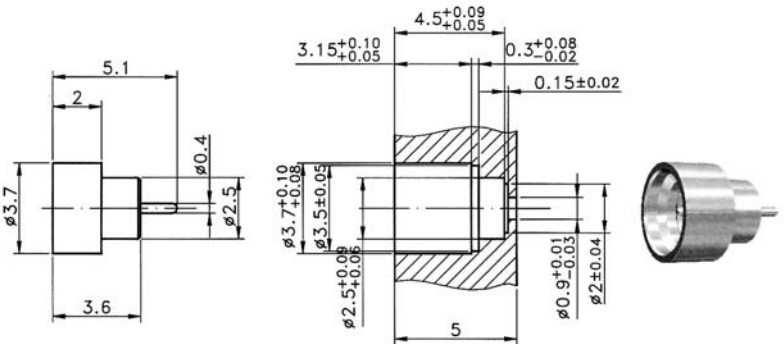
Bulkhead Receptacle, Hermetic

Straight Bulkhead Jack Receptacle, Press-fit Mount



Part Number	Module	Cable Group	Remark
R11004	GPO-JHDMA		

Straight Bulkhead Jack Receptacle, Press-fit Mount



Part Number	Module	Cable Group	Remark
R11005	GPO-JHDMB		

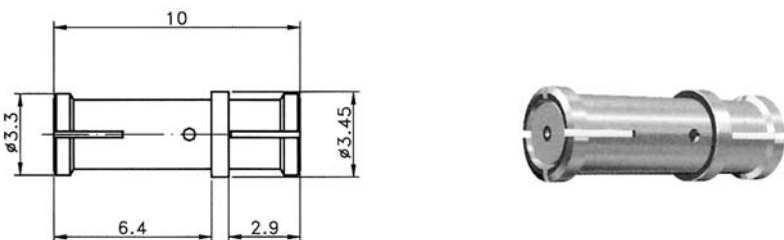
In Series Adapters

Straight Plug to Plug



Part Number	Module	Remark
R11006	GPO-KK	

Straight Plug to Plug



Part Number	Module	Remark
R11007	GPO-KKB	