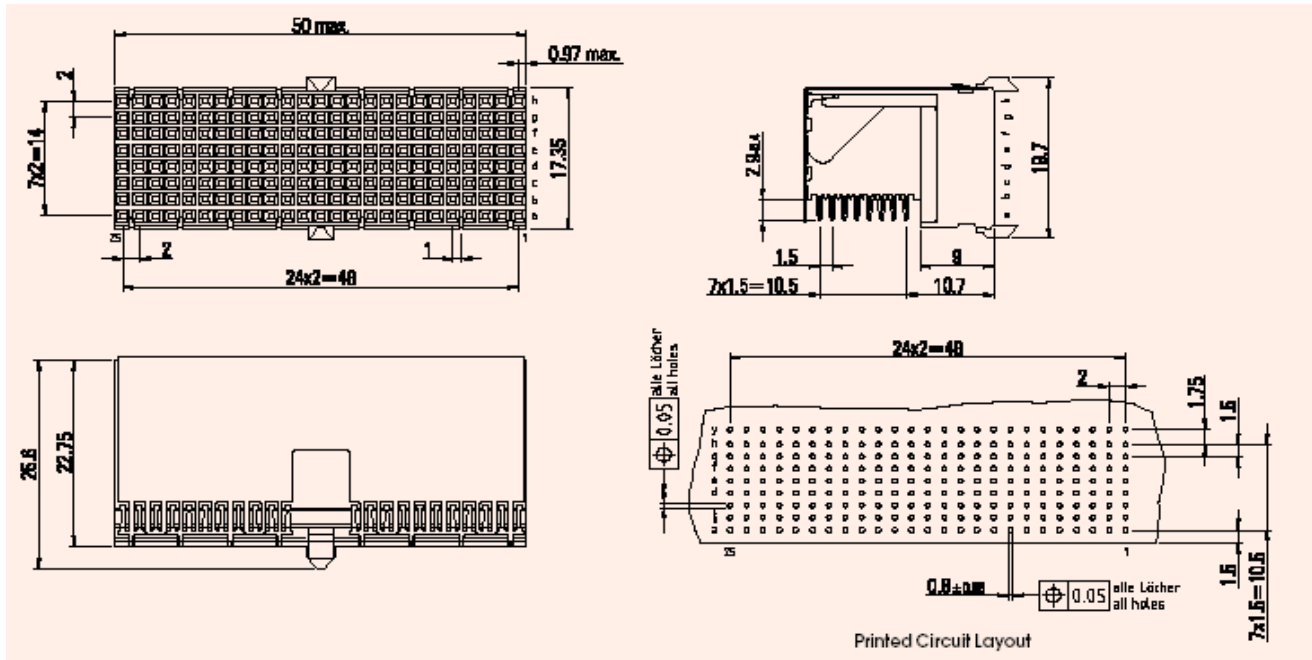


Type DE25 Female Connectors

All dimensions in mm

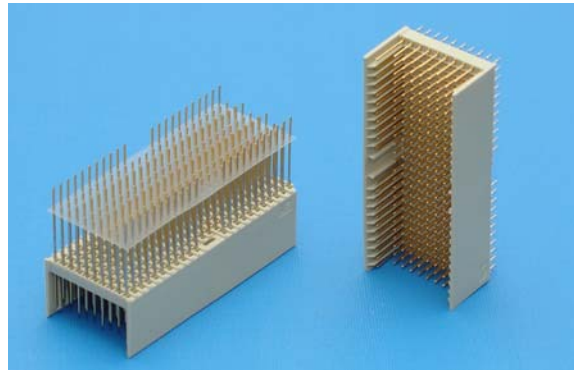


| Type                                   | Used For | No. of Pin | Class | Part Number |
|--|----------|------------|-------|-------------|
| Connector without Shielding            |          | 200        | II    | H80001      |
| Connector with Upper Shielding         |          | 200        | II    | H80002      |
| Upper shield                           |          |            | II    | H50005      |
| Lower shield                           |          |            | II    | H50006      |
| Connector with Upper & Lower Shielding |          | 200        | II    | H80003      |

|                 |           |        |
|-----------------|-----------|--------|
| Press fit tools | Upper set | H06154 |
|                 | Lower set | H06954 |

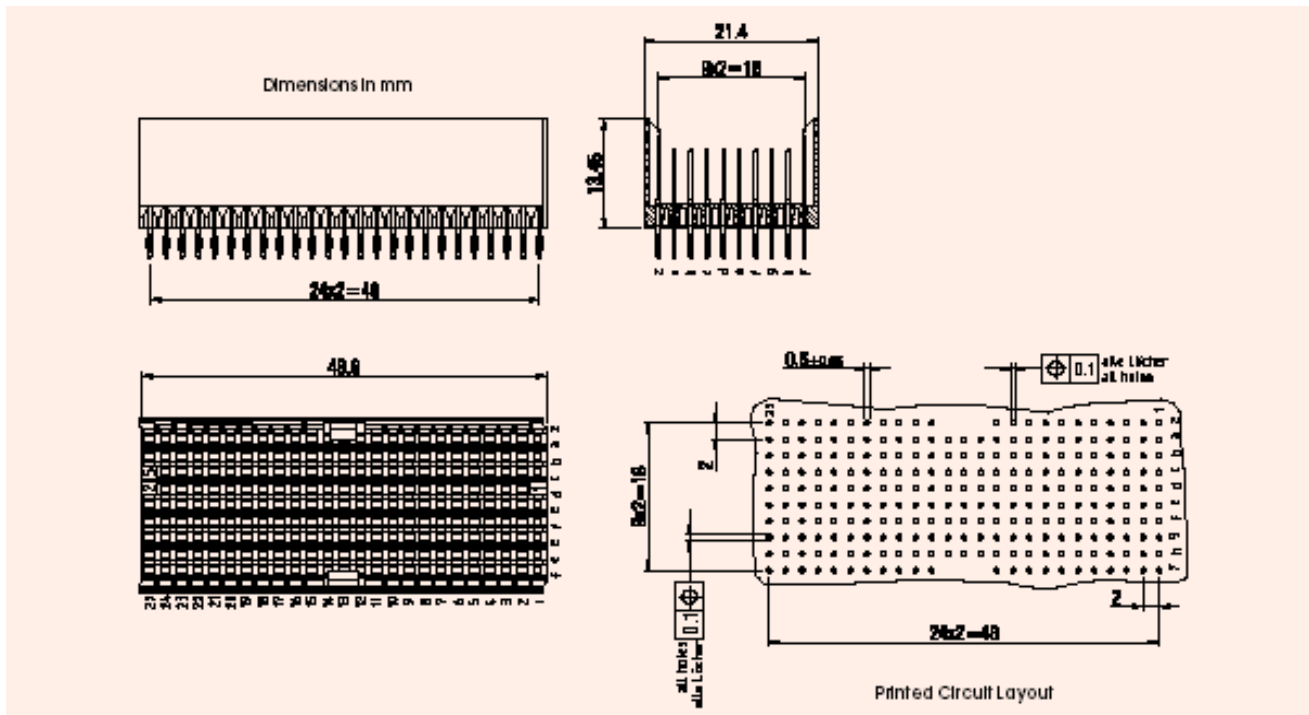
## HM 2mm Connectors

IEC61076-4-101



### Type DE25 Male Connectors

All dimensions in mm



| Type | Length (mm Max) |
|------|-----------------|
| DE25 | 50              |
| DE22 | 44              |
| DE19 | 38              |
| DE16 | 32              |

### How to order

| Ordering Information |                          | I   | II | III | IV    |
|----------------------|--------------------------|---|----|-----|-------|
|                      |                          | H 8 1   |    |     | x x x |
| I                    | H - HM 2mm Connectors    |   |    |     |       |
| II                   | 1 - Type A               | 2 - Type B  |    |     |       |
|                      | 3 - Type C               | 4 - Type AB   |    |     |       |
|                      | 5 - Type D               | 6 - Type E  |    |     |       |
|                      | 7 - Type F               | <b>8 - Type DE</b>  |    |     |       |
| III                  | 9 - Type L,M,N           | 0 - Accessories   |    |     |       |
|                      | 0 - Female               | 1 - Male short tail $\leq 3.7\text{mm}$                                     |    |     |       |
|                      | 2 -                      | 3 -   |    |     |       |
|                      | 4 -                      | 5 - Male long tail $\geq 13\text{mm}$                                       |    |     |       |
|                      | 6 -                      | 7 -   |    |     |       |
| IV                   | 8 - Shroud for long tail | 9 - Right angle male  |    |     |       |
|                      | xxx                      | Depend upon actual connector type<br>Please request to sales representative |    |     |       |

IEC61076-4-101

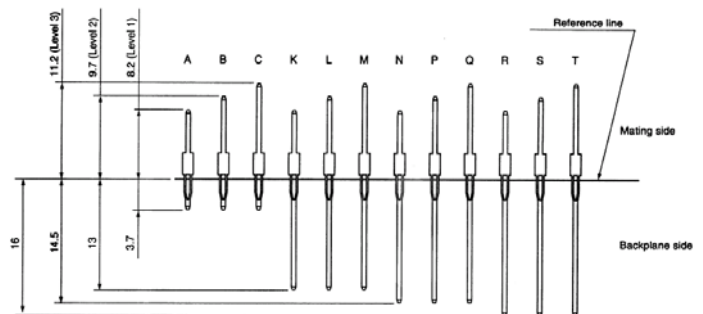
Type DE25 Male Short Tail Terminal

All dimensions in mm

| Contact Loading | Used For | No. of Pin | Row  | Type of Pin  | Length of Pin  | Class | Part Number |
|-----------------|----------|------------|--|--|--|-------|-------------|
|                 |          | 244        | z<br>a<br>b<br>c<br>d<br>e<br>f<br>g<br>h<br>y | C<br>A<br>A<br>A<br>A<br>A<br>A<br>A<br>A<br>A<br>A<br>C | 11.2/3.7<br>8.2/3.7<br>8.2/3.7<br>8.2/3.7<br>8.2/3.7<br>8.2/3.7<br>8.2/3.7<br>8.2/3.7<br>8.2/3.7<br>11.2/3.7 | II    | H81001      |
|                 |          | 244        | z<br>a<br>b<br>c<br>d<br>e<br>f<br>g<br>h<br>y | C<br>A<br>A<br>A<br>B<br>A<br>A<br>A<br>A<br>A<br>A<br>C | 11.2/3.7<br>8.2/3.7<br>8.2/3.7<br>8.2/3.7<br>9.7/3.7<br>8.2/3.7<br>8.2/3.7<br>8.2/3.7<br>8.2/3.7<br>11.2/3.7 | II    | H81002      |
|                 |          | 244        | z<br>a<br>b<br>c<br>d<br>e<br>f<br>g<br>h<br>y | C<br>A<br>A<br>B<br>A<br>A<br>B<br>A<br>A<br>A<br>C      | 11.2/3.7<br>8.2/3.7<br>8.2/3.7<br>9.7/3.7<br>8.2/3.7<br>8.2/3.7<br>9.7/3.7<br>8.2/3.7<br>8.2/3.7<br>11.2/3.7 | II    | H81003      |
|                 |          | 200        | z<br>a<br>b<br>c<br>d<br>e<br>f<br>g<br>h<br>y | -<br>A<br>A<br>B<br>A<br>A<br>B<br>A<br>A<br>-           | -<br>8.2/3.7<br>8.2/3.7<br>9.7/3.7<br>8.2/3.7<br>8.2/3.7<br>9.7/3.7<br>8.2/3.7<br>8.2/3.7<br>-               | II    | H81004      |
|                 |          | 200        | z<br>a<br>b<br>c<br>d<br>e<br>f<br>g<br>h<br>y | -<br>A<br>A<br>A<br>A<br>A<br>A<br>A<br>A<br>-           | -<br>8.2/3.7<br>8.2/3.7<br>8.2/3.7<br>8.2/3.7<br>8.2/3.7<br>8.2/3.7<br>8.2/3.7<br>8.2/3.7<br>-               | II    | H81005      |

Ordering Information

|          |    |  |
|----------|----|--|
| H8 1 0xx | H8 | Type DE                                |
|          | 1  | Short tail ≤ 3.7mm                     |
|          | 0  | DE25                                   |
|          | xx | Please request to sales representative |



|                 |           |        |
|-----------------|-----------|--------|
| Press fit tools | Upper set | H06158 |
|                 | Lower set | H06906 |

IEC61076-4-101

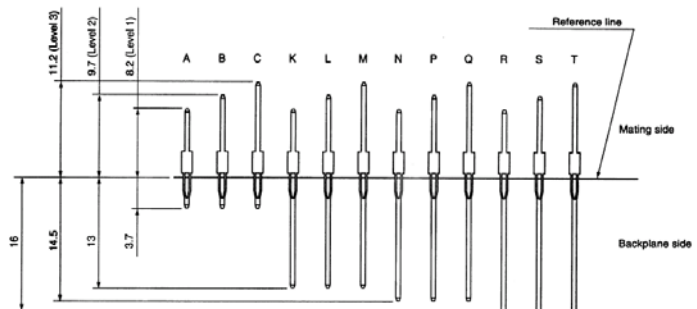
Type DE25 Male Long Tail Terminal

All dimensions in mm

| Contact Loading | Used For | No. of Pin | Row  | Type of Pin                                    | Length of Pin  | Class | Part Number |
|-----------------|----------|------------|--|--|--|-------|-------------|
|                 |          | 244        | z<br>a<br>b<br>c<br>d<br>e<br>f<br>g<br>h<br>y | T<br>K<br>K<br>P<br>K<br>K<br>P<br>K<br>K<br>T | 11.2/16<br>8.2/13<br>8.2/13<br>9.7/14.5<br>8.2/13<br>8.2/13<br>9.7/14.5<br>8.2/13<br>8.2/13<br>11.2/16 | II    | H85001      |
|                 |          |            |  |  |  |       |             |
|                 |          |            |  |  |  |       |             |
|                 |          |            |  |  |  |       |             |
|                 |          |            |  |  |  |       |             |

Ordering Information

|          |    |  |
|----------|----|--|
| H8 5 0xx | H8 | Type DE                                |
|          | 5  | Long tail $\geq 13$ mm                 |
|          | 0  | DE25                                   |
|          | xx | Please request to sales representative |

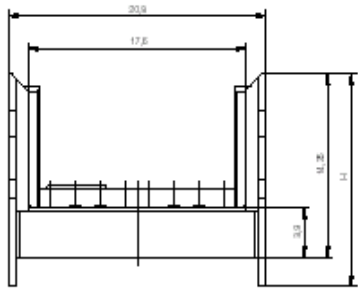
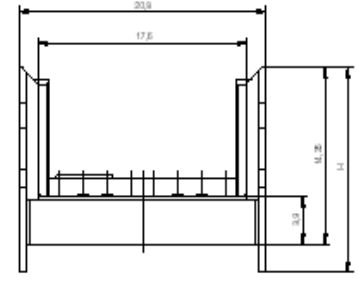
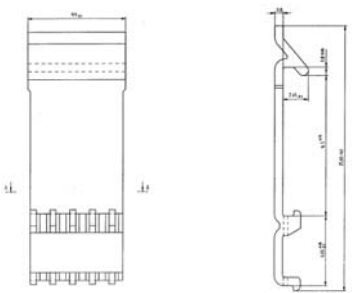


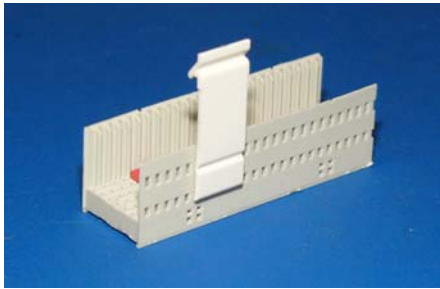
|                 |           |        |
|-----------------|-----------|--------|
| Press fit tools | Upper set | H06158 |
|                 | Lower set | H06906 |



**Type DE25 Shroud for Long Tail Terminal**

All dimensions in mm

| <i>Contact Loading</i>  | Used For | Height | Row  | Type of Pin | Length of Pin | Class | Part Number         |
|---|----------|--------|--|-------------|---------------|-------|---------------------|
|    |          | 14.95  | z<br>a<br>b<br>c<br>d<br>e<br>f<br>g<br>h<br>y |             |               |       | H88051              |
|   |          | 14.35  | z<br>a<br>b<br>c<br>d<br>e<br>f<br>g<br>h<br>y |             |               |       | H88052              |
|  |          |        |  |             |               |       | Latch Arm<br>H08597 |



Ordering Information

|          |     |  |
|----------|-----|--|
| H8 8 0xx | H8  | Type DE                                |
|          | 8   | Shroud                                 |
|          | 0   | DE25                                   |
|          | xxx | Please request to sales representative |

|                 |           |        |
|-----------------|-----------|--------|
| Press fit tools | Upper set | H06158 |
|                 | Lower set | H06906 |