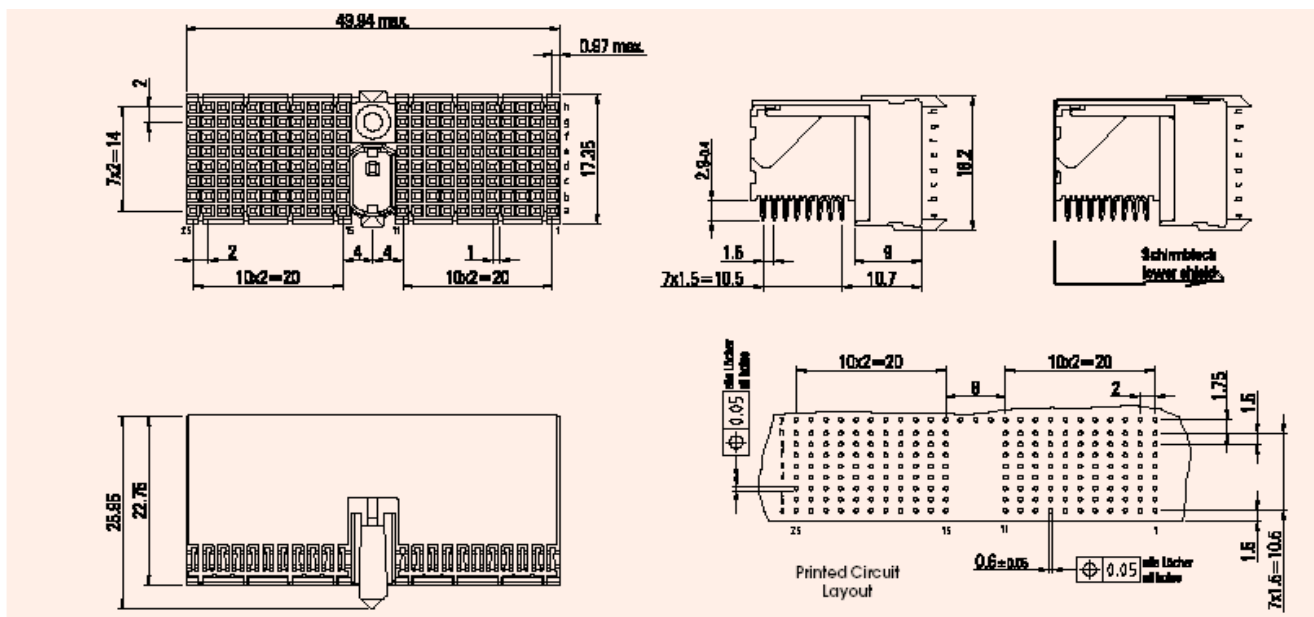


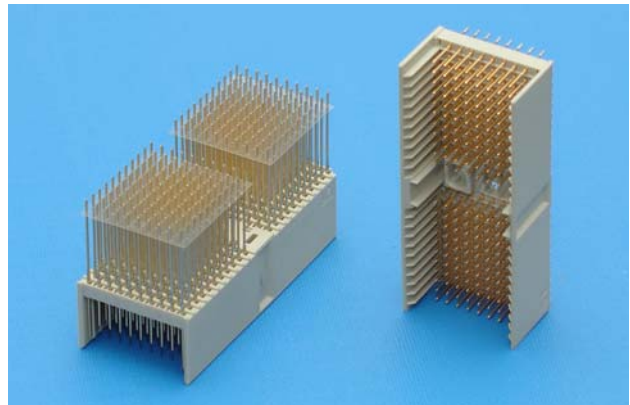
Type D Female Connectors

All dimensions in mm



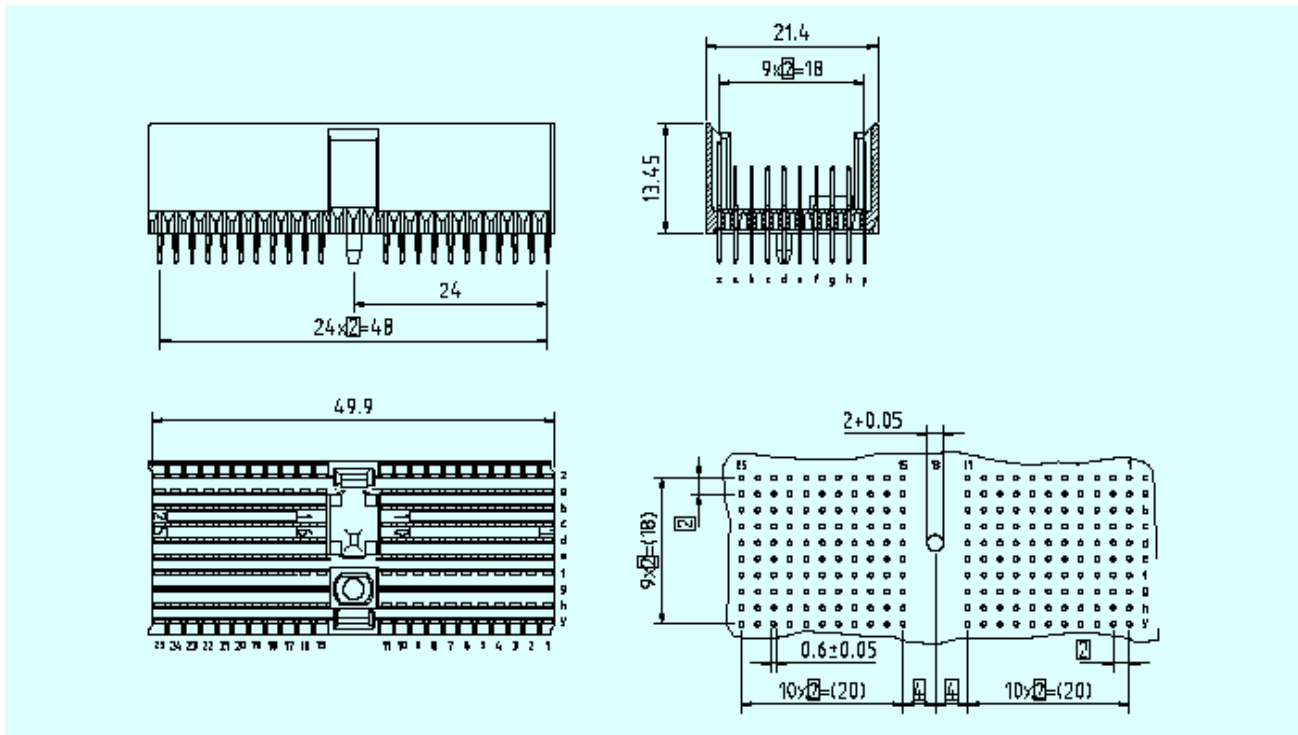
Type	Used For	No. of Pin	Class	Part Number
Connector without Shielding		176	II	H50001
Connector with Upper Shielding		176	II	H50002
Upper shield			II	H50005
Lower shield			II	H50006
Connector with Upper & Lower Shielding		176	II	H50007

Press fit tools	Upper set	H06154
	Lower set	H06954



Type D Male Connectors

All dimensions in mm

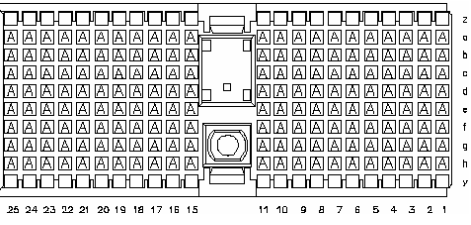
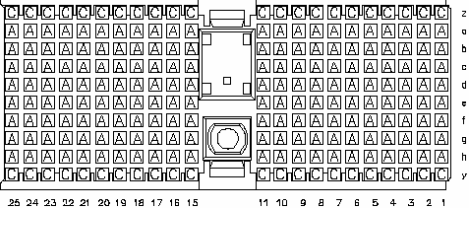
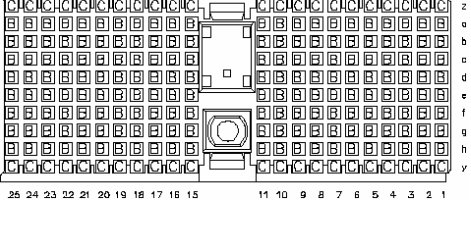
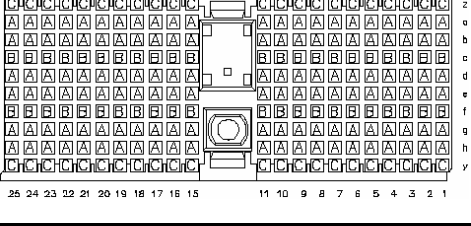
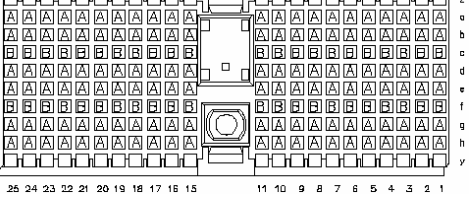


How to order

Ordering Information		I	II	III	IV
		H 5 1			x x x
I	H - HM 2mm Connectors				
II	1 - Type A	2 - Type B			
	3 - Type C	4 - Type AB			
	5 - Type D	6 - Type E			
III	7 - Type F	8 - Type DE			
	9 - Type L,M,N	0 - Accessories			
	0 - Female	1 - Male short tail $\leq 3.7\text{mm}$			
IV	2 -	3 -			
	4 -	5 - Male long tail $\geq 13\text{mm}$			
	6 -	7 -			
	8 - Shroud for long tail	9 - Right angle male			
IV	xxx	Depend upon actual connector type Please request to sales representative			

Type D Male Short Tail Terminal

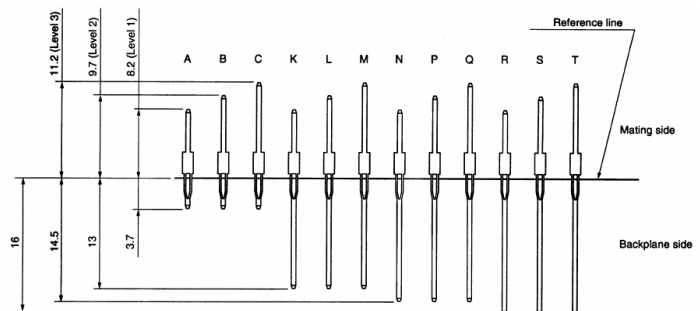
All dimensions in mm

Contact Loading	Used For	No. of Pin	Row	Type of Pin	Length of Pin	Class	Part Number
		176	z a b c d e f g h y	- A A A A A A A A -	- 8.2/3.7 8.2/3.7 8.2/3.7 8.2/3.7 8.2/3.7 8.2/3.7 8.2/3.7 8.2/3.7 -	II	H51001
		220	z a b c d e f g h y	C A A A A A A A A C	11.2/3.7 8.2/3.7 8.2/3.7 8.2/3.7 8.2/3.7 8.2/3.7 8.2/3.7 8.2/3.7 11.2/3.7	II	H51002
		220	z a b c d e f g h y	B B B B B B B B C	11.2/3.7 9.7/3.7 9.7/3.7 9.7/3.7 9.7/3.7 9.7/3.7 9.7/3.7 9.7/3.7 11.2/3.7	II	H51004
		220	z a b c d e f g h y	C A B A A B A A C	11.2/3.7 8.2/3.7 9.7/3.7 8.2/3.7 8.2/3.7 9.7/3.7 8.2/3.7 8.2/3.7 11.2/3.7	II	H51005
		176	z a b c d e f g h y	- A B A A A A A -	- 8.2/3.7 9.7/3.7 8.2/3.7 8.2/3.7 9.7/3.7 8.2/3.7 8.2/3.7 -	II	H51011

Ordering Information

H5 1 xxx	H5	Type D
	1	Short tail 3.7mm
	xxx	Please request to sales representative

Press fit tools	Upper set	H06137
	Lower set	H06906



Type D Male Long Tail Terminal

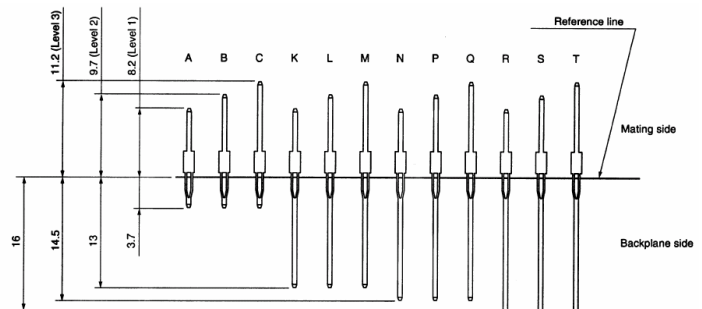
All dimensions in mm

Contact Loading	Used For	No. of Pin	Row	Type of Pin	Length of Pin	Class	Part Number
		220	z a b c d e f g h y	T K K K K K K K K T	11.2/16 8.2/13 8.2/13 8.2/13 8.2/13 8.2/13 8.2/13 8.2/13 8.2/13 11.2/16	II	H55001
		176	z a b c d e f g h y	- K K K K K K K K -	- 8.2/13 8.2/13 8.2/13 8.2/13 8.2/13 8.2/13 8.2/13 8.2/13 -	II	H55003
		176	z a b c d e f g h y	- P P P P P P P P -	- 9.7/14.5 9.7/14.5 9.7/14.5 9.7/14.5 9.7/14.5 9.7/14.5 9.7/14.5 -	II	H55004
		220	z a b c d e f g h y	T P P P P P P P P T	11.2/16 9.7/14.5 9.7/14.5 9.7/14.5 9.7/14.5 9.7/14.5 9.7/14.5 9.7/14.5 9.7/14.5 11.2/16	II	H55005
		220	z a b c d e f g h y	T K K P K K P K K T	11.2/16 8.2/13 8.2/13 9.7/14.5 8.2/13 8.2/13 9.7/14.5 8.2/13 8.2/13 11.2/16	II	H55007

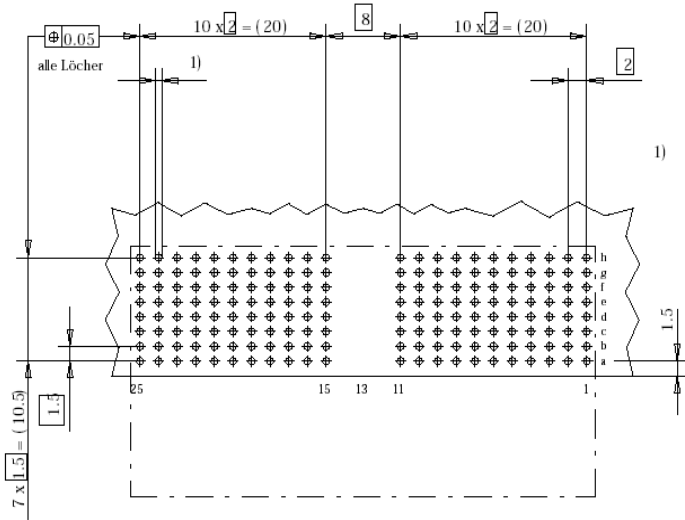
Ordering Information

H5 5 xxx	H5	Type D
	5	Long tail 13mm
	xxx	Please request to sales representative

Press fit tools	Upper set	H06137
	Lower set	H06906



Type D Right Angle Male

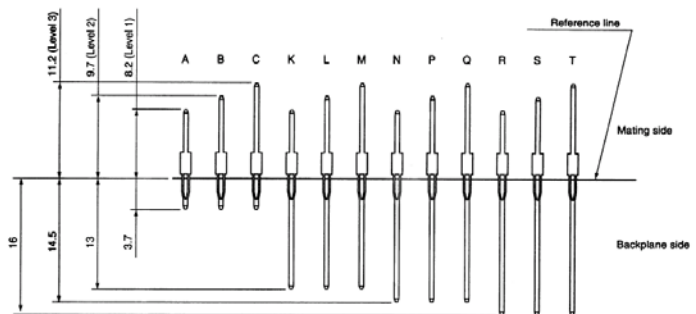


All dimensions in mm

Contact Loading	Used For	No. of Pin	Row	Type of Pin	Length of Pin	Class	Part Number
		176	z a b c d e f g h y	- A A A A A A A A A -	8.2 8.2 8.2 8.2 8.2 8.2 8.2 8.2 -	II	H59007 Use H50001 + H51001 to assemble

Ordering Information

H5 9 xxx	H5	Type D
	9	Right Angle Male
	xxx	Please request to sales representative



Press fit tools	Upper set	H06154
	Lower set	H06754

