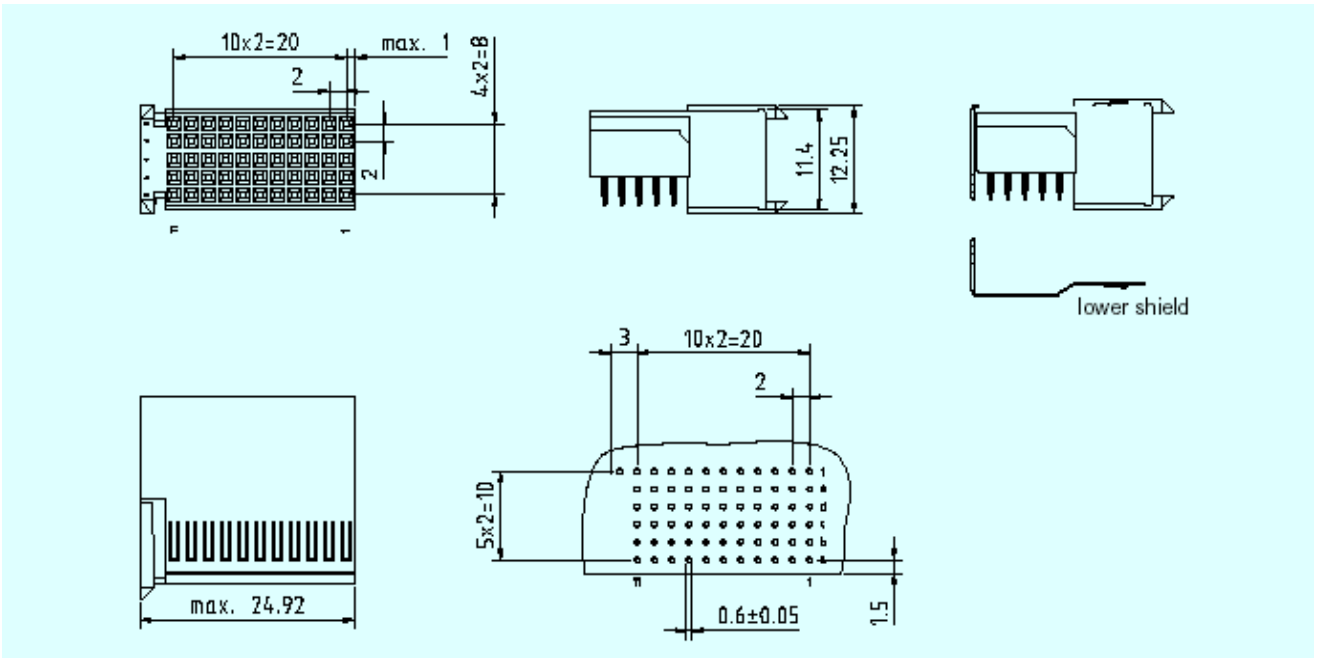


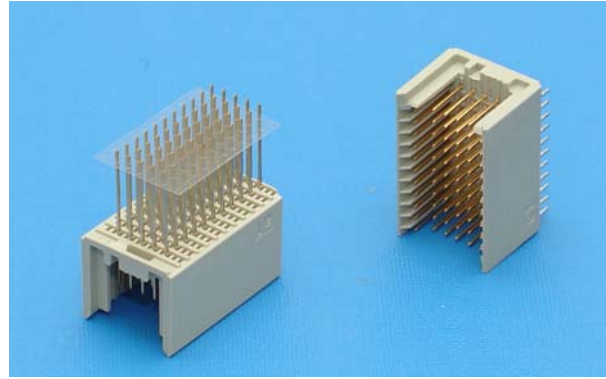
**Type C Female Connectors**

All dimensions in mm



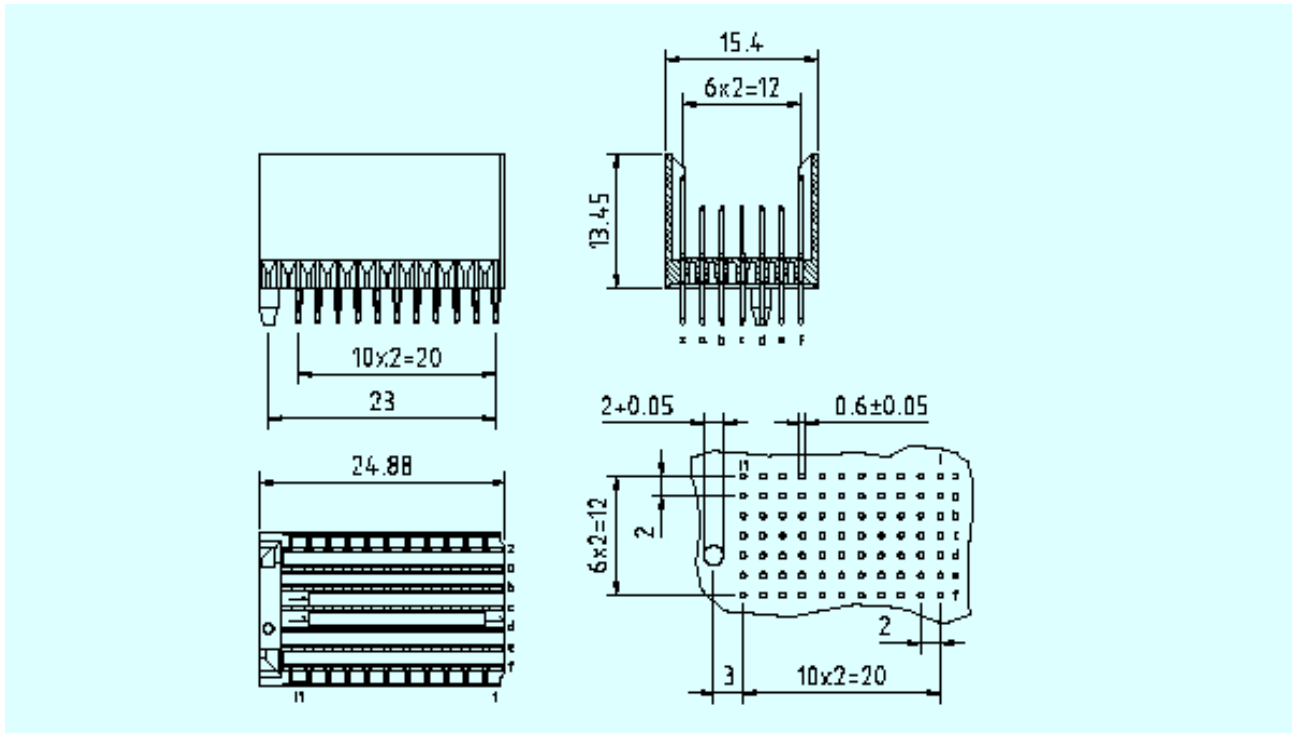
Type	Used For	No. of Pin	Class	Part Number
Connector without Shielding		55	II	H30001
Connector with Upper Shielding		55	II	H30002
Upper shield			II	H30006
Lower shield			II	H30007
Connector with Upper & Lower Shielding		55	II	H30015

Press fit tools	Upper set	H06150
	Lower set	H06950



Type C Male Connectors

All dimensions in mm



How to order

Ordering Information		I	II	III	IV
		H	3	1	x x x
I	H - HM 2mm Connectors				
II	1 - Type A	2 - Type B			
	<b>3 - Type C</b>	4 - Type AB			
	5 - Type D	6 - Type E			
III	7 - Type F	8 - Type DE			
	9 - Type L,M,N	0 - Accessories			
	0 - Female	1 - Male short tail $\leq 3.7$ mm			
IV	2 -	3 -			
	4 -	5 - Male long tail $\geq 13$ mm			
	6 -	7 -			
	8 - Shroud for long tail	9 - Right angle male			
IV	xxx	Depend upon actual connector type Please request to sales representative			

IEC61076-4-101

Type C Male Short Tail Terminal

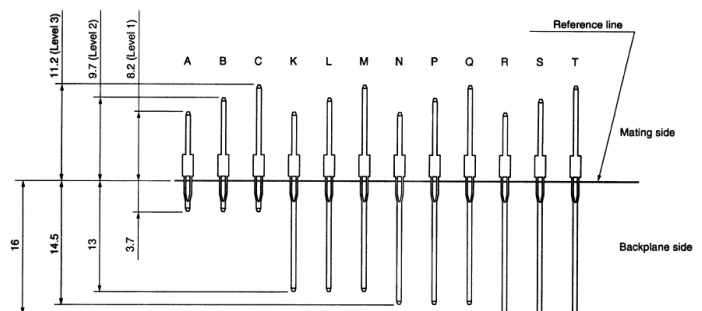
All dimensions in mm

Contact Loading	Used For	No. of Pin	Row	Type of Pin	Length of Pin	Class	Part Number
<p>w/o peg</p>		55	z a b c d e f	- A A A A A -	- 8.2/3.7 8.2/3.7 8.2/3.7 8.2/3.7 8.2/3.7 -	II	H31001
<p>w/o peg</p>		77	z a b c d e f	C A A A A A C	11.2/3.7 8.2/3.7 8.2/3.7 8.2/3.7 8.2/3.7 8.2/3.7 11.2/3.7	II	H31002
<p>w/o peg</p>		77	z a b c d e f	C B B B B B C	11.2/3.7 9.7/3.7 9.7/3.7 9.7/3.7 9.7/3.7 9.7/3.7 11.2/3.7	II	H31003
<p>w/o peg</p>		55	z a b c d e f	- A B A A A -	- 8.2/3.7 9.7/3.7 8.2/3.7 8.2/3.7 8.2/3.7 -	II	H31004
<p>w/o peg</p>		77	z a b c d e f	C A A B A A C	11.2/3.7 8.2/3.7 8.2/3.7 9.7/3.7 8.2/3.7 8.2/3.7 11.2/3.7	II	H31005
<p>w/o peg</p>		55	z a b c d e f	- B B B B B -	- 9.7/3.7 9.7/3.7 9.7/3.7 9.7/3.7 9.7/3.7 -	II	H31006
<p>w/o peg</p>		77	z a b c d e f	C C C C C C C	11.2/3.7 11.2/3.7 11.2/3.7 11.2/3.7 11.2/3.7 11.2/3.7 11.2/3.7	II	H31007
<p>w/o peg</p>		55	z a b c d e f	- B B C B B -	- 9.7/3.7 9.7/3.7 11.2/3.7 9.7/3.7 9.7/3.7 -	II	H31008

Ordering Information

H3 1 xxx	H3	Type C
	1	Short tail 3.7mm
	xxx	Please request to sales representative

Press fit tools	Upper set	H06133
	Lower set	H06905

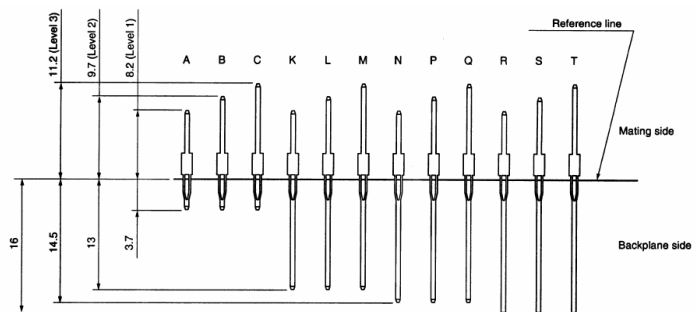


Contact Loading	Used For	No. of Pin	Row	Type of Pin	Length of Pin	Class	Part Number
		55	z a b c d e f	- K K K K K -	- 8.2/13 8.2/13 8.2/13 8.2/13 8.2/13 -	II	H35001
		55	z a b c d e f	- K K P K K -	- 8.2/13 8.2/13 9.7/14.5 8.2/13 8.2/13 -	II	H35002
		55	z a b c d e f	- K K L K K -	- 8.2/13 8.2/13 9.7/13 8.2/13 8.2/13 -		H35003
		77	z a b c d e f	C K K K K K C	8.2/3.7 8.2/13 8.2/13 8.2/13 8.2/13 8.2/13 8.2/3.7	II	H35004
		77	z a b c d e f	C K K P K K C	8.2/3.7 8.2/13 8.2/13 9.7/14.5 8.2/13 8.2/13 8.2/3.7	II	H35005
		77	z a b c d e f	T P P P P P T	11.2/16 9.7/14.5 9.7/14.5 9.7/14.5 9.7/14.5 9.7/14.5 11.2/16	II	H35006
		77	z a b c d e f	T R R R R R T	11.2/16 8.2/16 8.2/16 8.2/16 8.2/16 8.2/16 11.2/16	II	H35007
		77	z a b c d e f	T K K K K K T	11.2/16 8.2/13 8.2/13 8.2/13 8.2/13 8.2/13 11.2/16	II	H35008

Ordering Information

H3 1 xxx	H3	Type C
	5	Long tail 13mm
	xxx	Please request to sales representative

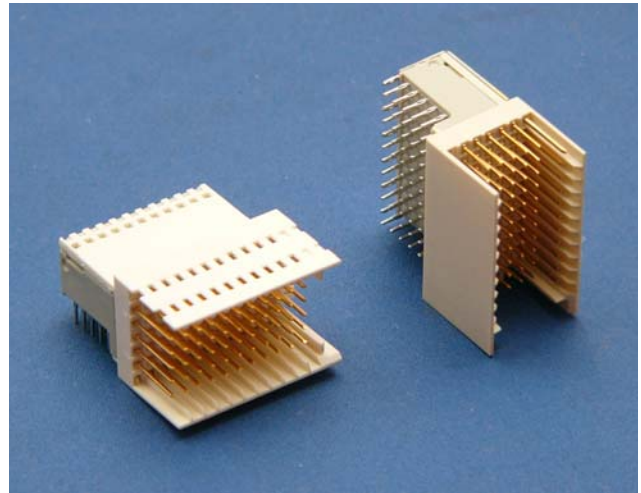
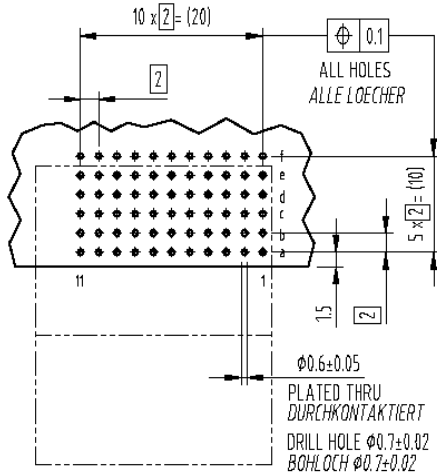
Press fit tools	Upper set	H06133
	Lower set	H06905



# HM 2mm Connectors

## IEC61076-4-101

### Type C Right Angle Male



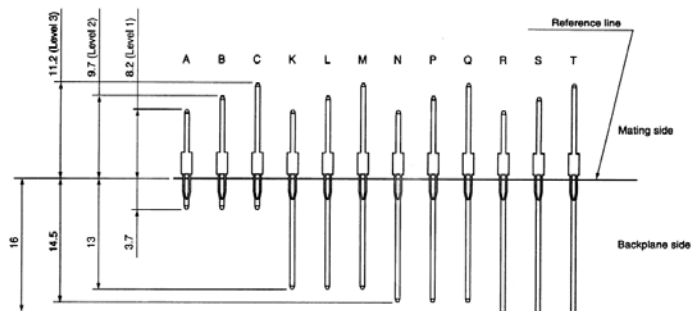
All dimensions in mm

Contact Loading		No. of Pin	Row	Type of Pin	Length of Pin	Class	Part Number
		66	Z a b c d e f	- A A A A A C	- 8.2 8.2 8.2 8.2 8.2 11.2	II	H39001
		66	Z a b c d e f	- B B B B B C	- 9.7 9.7 9.7 9.7 9.7 11.2	II	H39002
<b>-CCCCC</b>		66				II	H39003
		55	Z a b c d e f	- A A A A A -	- 8.2 8.2 8.2 8.2 8.2 -	II	H39004
		55	Z a b c d e f	- B B B B B -	- 9.7 9.7 9.7 9.7 9.7 -	II	H39005
<b>CCCCC</b>		55				II	H39006

### Ordering Information

H3 9 xxx	H3	Type C
	9	Right angle Male
	xxx	Please request to sales representative

Press fit tools	Upper set	H06150
	Lower set	H06750



Type C Shroud for Long Tail Terminal

All dimensions in mm

<b>Contact Loading</b>	Used For	Height	Row	Type of Pin	Length of Pin	Class	Part Number
		14.95	z a b c d e f				H38051
		14.35	z a b c d e f				H38052
							 Latch Arm H08597

Ordering Information

H3 8 xxx	H3	Type C
	8	Shroud
	xxx	Please request to sales representative

Press fit tools	Upper set	H06133
	Lower set	H06905