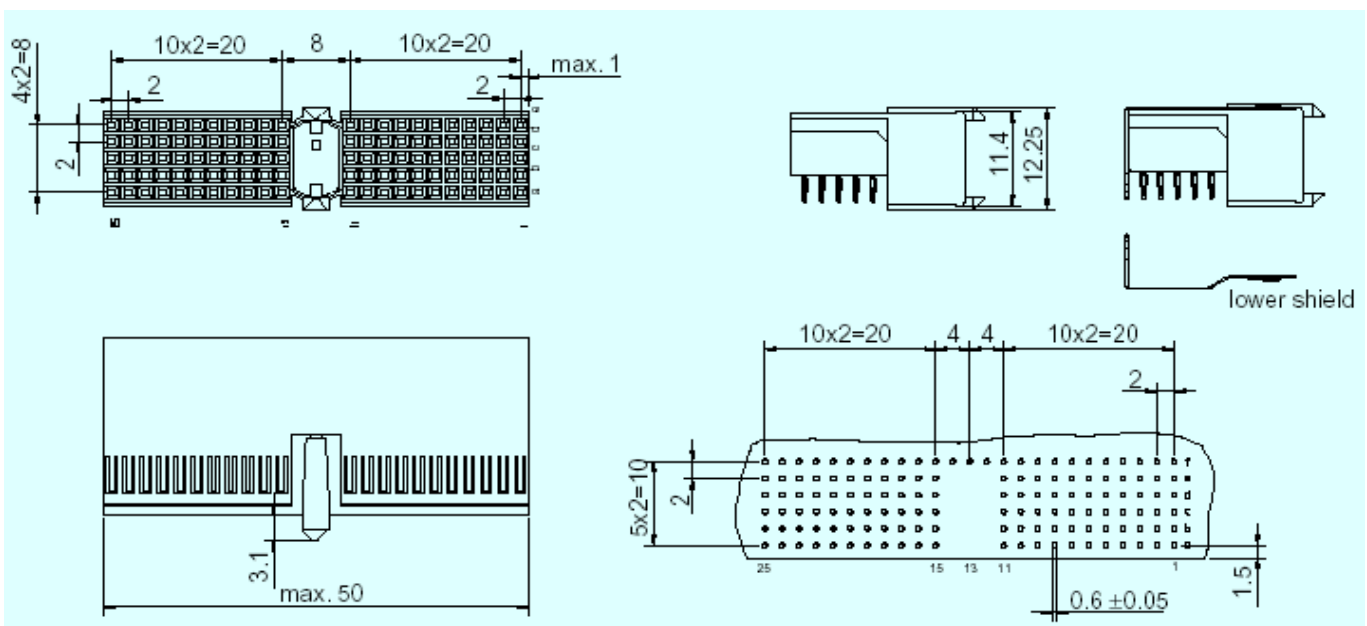


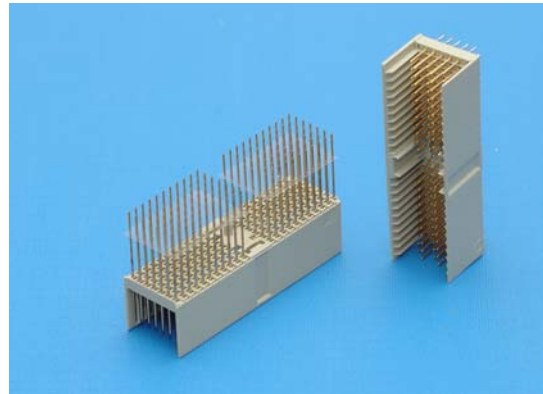
### Type A Female Connectors

All dimensions in mm



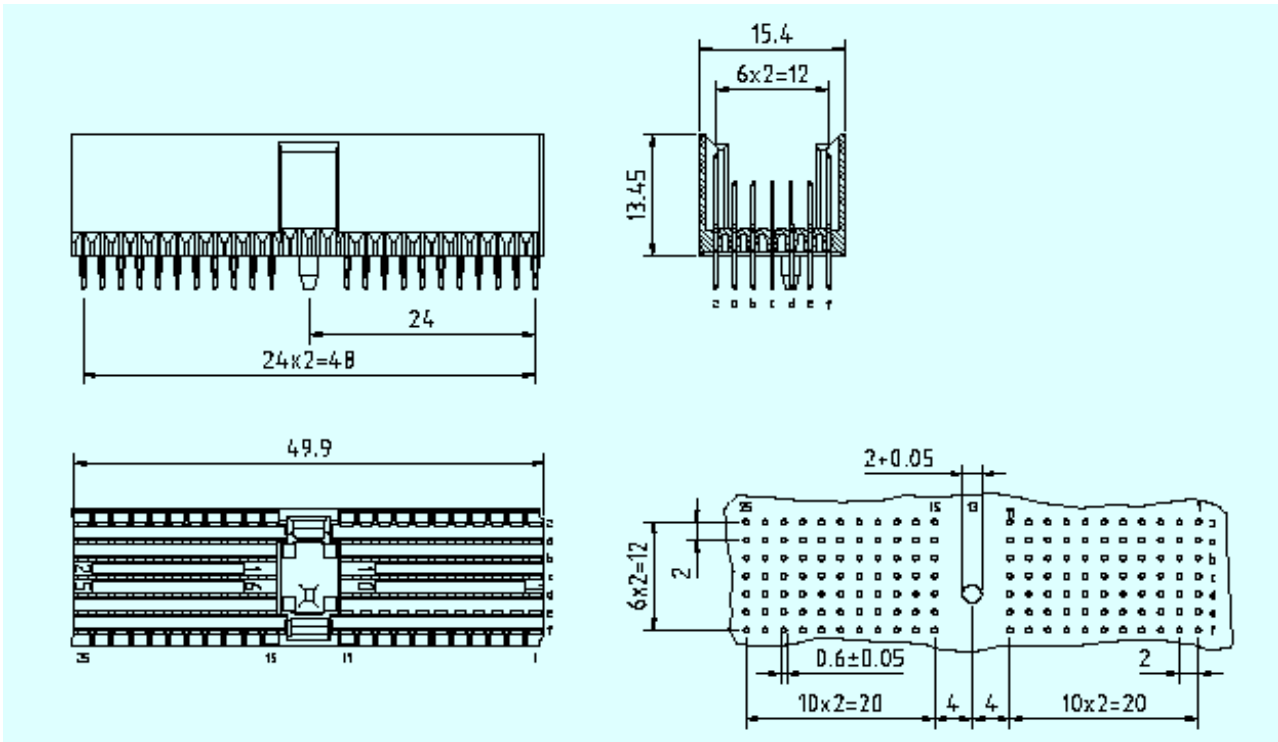
Type	Used For	No. of Pin	Class	Part Number
Connector without Shielding	<b>Compact PCI</b> J1,J4	110	II	H10001
Connector with Upper Shielding	<b>Compact PCI</b> J1,J4	110	II	H10002
Connector with shielding cPCI Telephony Spec	J4 Telecom	90	II	H10007
Upper shield			II	H10008
Lower shield			II	H10004
Connector with Upper & Lower Shielding		110	II	H10015

Press fit tools	Upper set	H06149
	Lower set	H06949



**Type A Male Connectors**

All dimensions in mm



**How to order**

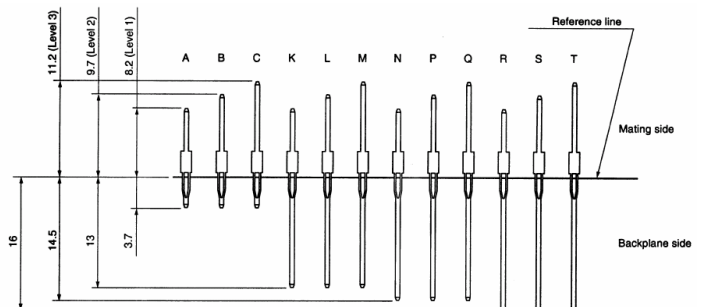
Ordering Information		I	II	III	IV
		H	1	1	x x x
I	H - HM 2mm Connectors				
II	1 - Type A	2 - Type B			
	3 - Type C	4 - Type AB			
	5 - Type D	6 - Type E			
II	7 - Type F	8 - Type DE			
	9 - Type L,M,N	0 - Accessories			
	0 - Female	1 - Male short tail $\leq 3.7\text{mm}$			
III	2 -	3 -			
	4 -	5 - Male long tail $\geq 13\text{mm}$			
	6 -	7 -			
	8 - Shroud for long tail	9 - Right angle male			
IV	xxx	Depend upon actual connector type Please request to sales representative			

Contact Loading	Used For	No. of Pin	Row	Type of Pin	Length of Pin	Class	Part Number
		110	z a b c d e f	- A A A A A -	- 8.2/3.7 8.2/3.7 8.2/3.7 8.2/3.7 8.2/3.7 -	II	H11001
		154	z a b c d e f	C A A A A A C	11.2/3.7 8.2/3.7 8.2/3.7 8.2/3.7 8.2/3.7 11.2/3.7	II	H11002
		154	z a b c d e f	C B B B B C	11.2/3.7 9.7/3.7 9.7/3.7 9.7/3.7 9.7/3.7 11.2/3.7	II	H11003
		110	z a b c d e f	- A A B A A -	- 8.2/3.7 8.2/3.7 9.7/3.7 8.2/3.7 8.2/3.7 -	II	H11004
		154	z a b c d e f	C A A B A A C	11.2/3.7 8.2/3.7 8.2/3.7 9.7/3.7 8.2/3.7 11.2/3.7	II	H11005
	P4 Telecom	100	z a b c d e f	- * * * * * *	- * * * * * *	II	H11006
	Compact PCI P1	154	z a b c d e f	C B * * * B C	11.2/3.7 9.7/3.7 * * * 9.7/3.7 11.2/3.7	II	H11008
	Compact PCI P1 per PICMG 2.0 R2.1	154	z a b c d e f	C B B * * B C	11.2/3.7 9.7/3.7 9.7/3.7 * * 9.7/3.7 11.2/3.7	II	H11010

Ordering Information

H1 1 xxx	H1	Type A
	1	Short tail 3.7mm
	xxx	Please request to sales representative

Press fit tools	Upper set	H06128
	Lower set	H06901



IEC61076-4-101

Type A Male Long Tail Terminal

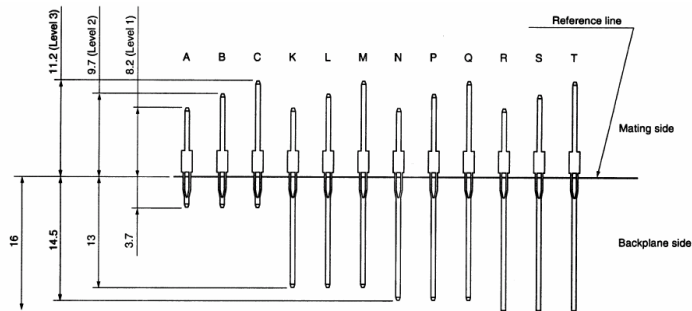
All dimensions in mm

Contact Loading	Used For	No. of Pin	Row	Type of Pin	Length of Pin	Class	Part Number
		110	z a b c d e f	- K K K K K -	- 8.2/13 8.2/13 8.2/13 8.2/13 8.2/13 -	II	H15001
		110	z a b c d e f	- K K P K K -	- 8.2/13 8.2/13 9.7/14.5 8.2/13 8.2/13 -	II	H15002
		154	z a b c d e f	C K K K K K C	8.2/3.7 8.2/13 8.2/13 8.2/13 8.2/13 8.2/13 8.2/3.7	II	H15003
	<b>Compact PCI</b> P4	154	z a b c d e f	T R R R R R T	11.2/16 8.2/16 8.2/16 8.2/16 8.2/16 8.2/16 11.2/16	II	H15004
		154	z a b c d e f	T K K K K K T	11.2/16 8.2/13 8.2/13 8.2/13 8.2/13 8.2/13 11.2/16		H15005
	<b>Compact PCI</b> P4	154	z a b c d e f	T P P P P P T	11.2/16 9.7/14.5 9.7/14.5 9.7/14.5 9.7/14.5 9.7/14.5 11.2/16	II	H15007
	P4 Telecom	100	z a b c d e f	* * * * * *	* * * * * *	II	H15009
		154	z a b c d e f	C K K P K K C	8.2/3.7 8.2/13 8.2/13 9.7/14.5 8.2/13 8.2/13 8.2/3.7	II	H15012

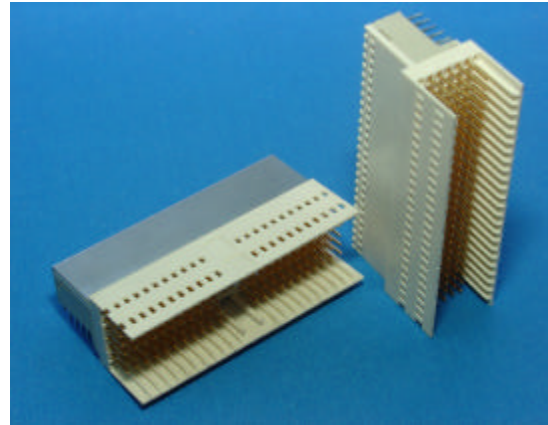
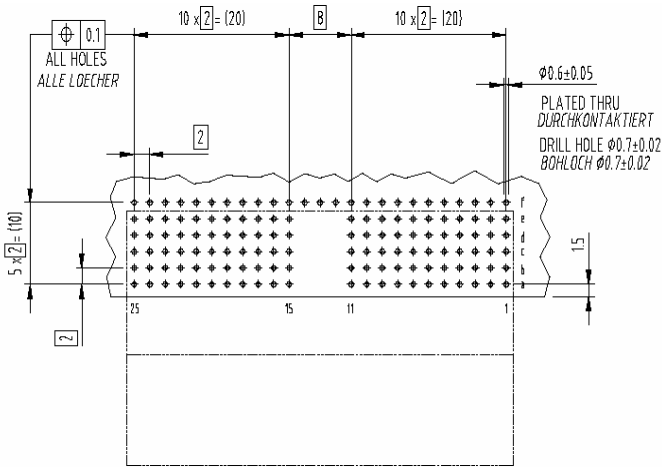
Ordering Information

H1 5 xxx	H1	Type A
	5	Long tail 13mm
	xxx	Please request to sales representative

Press fit tools	Upper set	H06128
	Lower set	H06901



Type A Right Angle Male



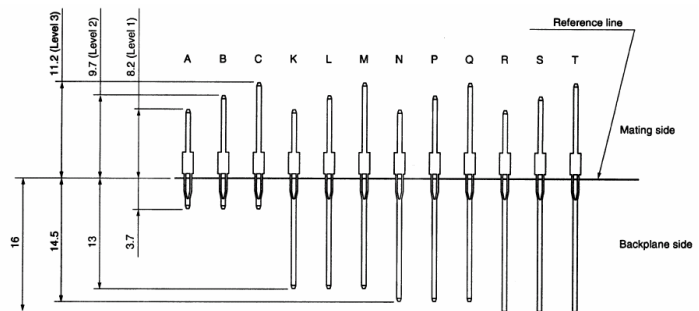
All dimensions in mm

Contact Loading	Layout	No. of Pin	Row	Type of Pin	Length of Pin	Class	Part Number
		132	z a b c d e f	- A A A A A C	- 8.2 8.2 8.2 8.2 8.2 11.2	II	H19001
		132	z a b c d e f	- B B B B B C	- 9.7 9.7 9.7 9.7 9.7 11.2	II	H19002
<b>-CCCCC</b>		132				II	H19003
		110	z a b c d e f	- A A A A A -	- 8.2 8.2 8.2 8.2 8.2 -	II	H19004
		110	z a b c d e f	- B B B B B -	- 9.7 9.7 9.7 9.7 9.7 -	II	H19005
<b>CCCCC</b>		110				II	H19006

Ordering Information

H1 9 xxx	H1	Type A
	9	Right Angle Male
	xxx	Please request to sales representative

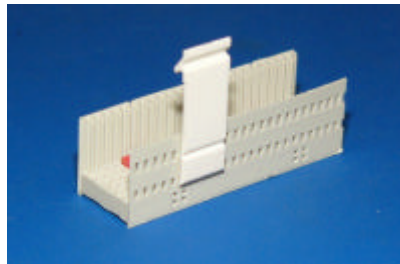
Press fit tools	Upper set	H06149
	Lower set	H06749



Type A Shroud for Long Tail Terminal

All dimensions in mm

<b>Contact Loading</b>	Used For	Height	Row	Type of Pin	Length of Pin	Class	Part Number
		14.95	z a b c d e f				H18051
		14.35	z a b c d e f				H18052
							Latch Arm H08597



Ordering Information

H1 8 xxx	H1	Type A
	8	Shroud
	xxx	Please request to sales representative

Press fit tools	Upper set	H06128
	Lower set	H06901