

## Eurocard Connectors 2.54mm Pitch

Type Q (Inverse)

Right Angle Receptacle Assemblies

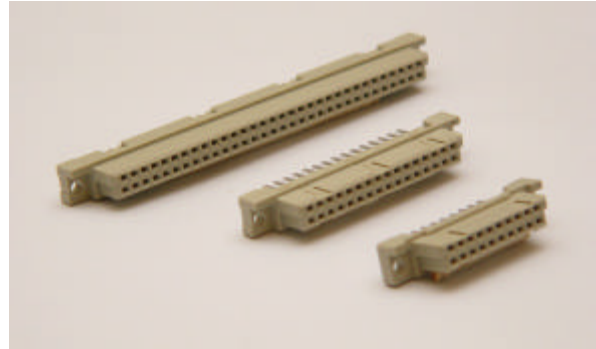
### Material

**Housing** - Polyester, grey

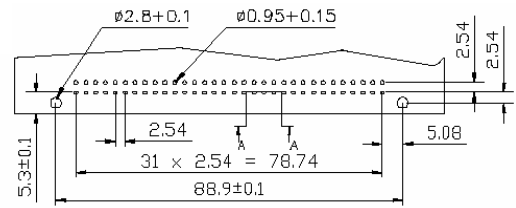
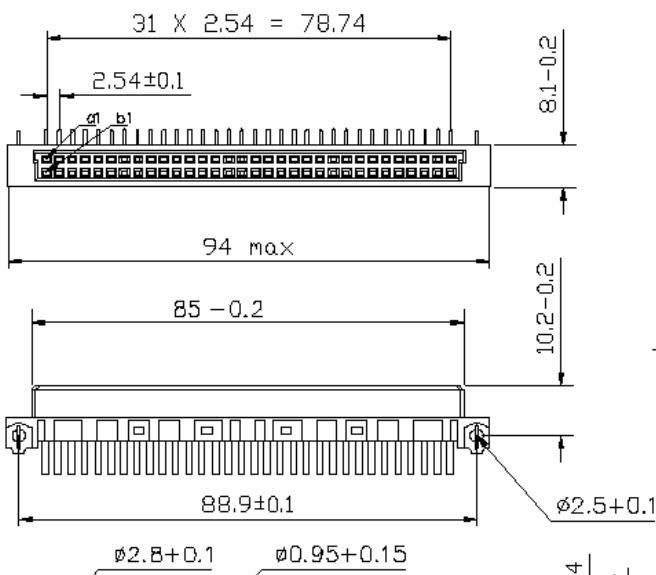
**Contacts** - Copper Alloy

**DIN Class 2 Plating** - 15u" Gold Plating on Mating Area. Tin Plating on Tail Area.

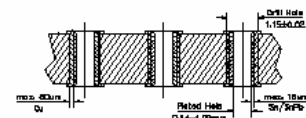
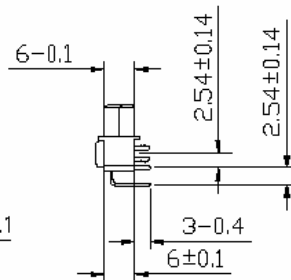
Nickel Underplate Allover



All dimensions in mm



Recommended PCB Hole Layout



RECOMMENDED HOLE SPECIFICATIONS SECTION A-A

### How to order

Part Number Information		I	II	III	IV - VI	VII
		N	7	0	xxx	-X
I	<b>N - DIN 41612 Connectors</b>					
II	1 - Type B	2 - Type C				
	3 - Type D	4 - Type E				
	5 - Type F	6 - Type H				
	<b>7 - Type Q</b>	8 - Type R				
	9 - Type M	0 - Accessories				
III	0 - Female	<b>1 - Male</b>				
	2 - 1/2 Sizes Female (Q/2)	3 - 1/2 Sizes Male (Q/2)				
	4 - 1/3 Size Female (Q/3)	5 - 1/3 Size Male (Q/3)				
	6 - Extend Size Female	7 - Extend Size Male				
	8 -	9 - Guide frame				
IV	xxx	Please Consult to Sales Representative to Fix the Optional				
VII	X	1- Class 1	3-Class 3	Omit-Class 2		

**Eurocard Connectors 2.54mm Pitch**

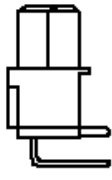
**Type Q (Inverse)**

**Right Angle Receptacle Assemblies**

**Q ab Row**

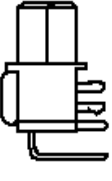
**Soldering**

**Ordering Information**

	Number of Pin	Class 2	Class 3	Option
	64	N70101	N70101-3	
	32	N70103	N70103-3	2,4,6...32 5.08mm Pitch

**Soldering with clips**

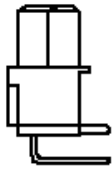
**Ordering Information**

	Number of Pin	Class 2	Class 3	Option
	64	N70111	N70111-3	
	32	N70113	N70113-3	2,4,6...32 5.08mm Pitch

**Q ab Row**

**Press-fit**

**Ordering Information**

	Number of Pin	Class 2	Class 3	
	64	N70201	N70201-3	
	32	N70203	N70203-3	2,4,6...32 5.08mm Pitch
	Available upon request			

## Eurocard Connectors 2.54mm Pitch

Type Q (Inverse)  
Vertical Pin Assemblies

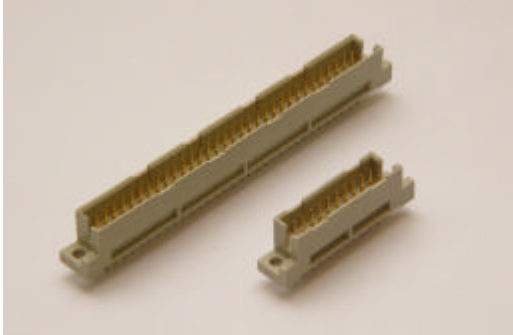
**Material**

**Housing** - Polyester, grey

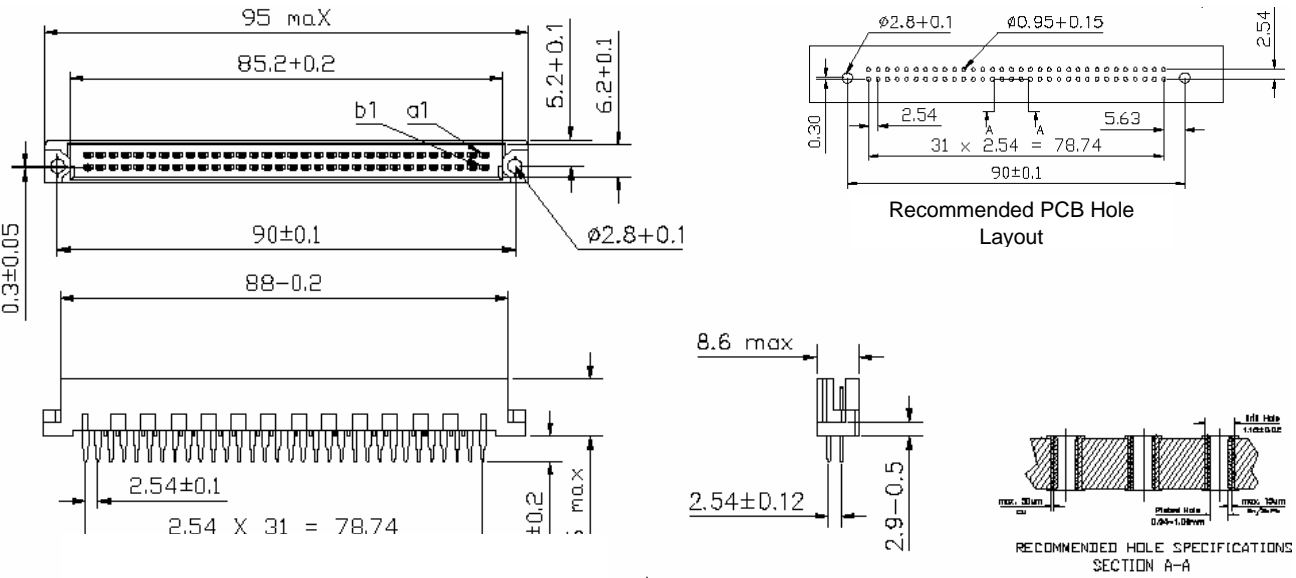
**Contacts** - Copper Alloy

**DIN Class 2 Plating** - 15u" Gold Plating on Mating Area. Tin Plating on Tail Area.

Nickel Underplate Allover



All dimensions in mm



**How to order**

Part Number Information		I	II	III	IV - VI	VII
		N	7	1	xxx	-X
I	<b>N - DIN 41612 Connectors</b>					
II	1 - Type B	2 - Type C				
	3 - Type D	4 - Type E				
	5 - Type F	6 - Type H				
	<b>7 - Type Q</b>	8 - Type R				
	9 - Type M	0 - Accessories				
III	0 - Female	<b>1 - Male</b>				
	2 - 1/2 Sizes Female (Q/2)	3 - 1/2 Sizes Male (Q/2)				
	4 - 1/3 Size Female (Q/3)	5 - 1/3 Size Male (Q/3)				
	6 - Extend Size Female	7 - Extend Size Male				
	8 -	9 - Guide frame				
IV	xxx	Please Consult to Sales Representative to Fix the Optional				
VII	X	1- Class 1	3-Class 3	Omit-Class 2		

**Eurocard Connectors 2.54mm Pitch**

**Type Q (Inverse)**

**Vertical Pin Assemblies**

**Q ab Row  
Soldering**

**Ordering Information**

	Number of Pin	Class 2	Class 3	Option
	64	N71101	N71101-3	
	32	N71103	N71103-3	2,4,6...32 5.08mm Pitch

**Q ab Row  
Press Fit**

**Ordering Information**

	Number of Pin	Class 2	Class 3	Option
	64	N71201	N71201-3	
	32	N71203	N71203-3	2,4,6...32 5.08mm Pitch

**Soldering**

**Long Tail 13mm**

**Ordering Information**

	Number of Pin	Class 2	Class 3	Option
	64	N71301	N71301-3	
	32	N71303	N71303-3	2,4,6...32 5.08mm Pitch

**Press Fit**

**Long Tail 13mm**

**Ordering Information**

	Number of Pin	Class 2	Class 3	Option
	64	N71401	N71401-3	
	32	N71403	N71403-3	2,4,6...32 5.08mm Pitch

**Soldering**

**Long Tail 13mm**

**Full Gold Plating**

**Ordering Information**

	Number of Pin	Class 2	Class 3	Option
	64	N71501	N71501-3	
	32	N71503	N71503-3	2,4,6...32 5.08mm Pitch

**Press Fit**

**Long Tail 13mm**

**Full Gold Plating**

**Ordering Information**

	Number of Pin	Class 2	Class 3	Option
	64	N71601	N71601-3	
	32	N71603	N71603-3	2,4,6...32 5.08mm Pitch



### Eurocard Connectors 2.54mm Pitch

#### Type Q/2 (Inverse Half Sizes)

#### Right Angle Receptacle Assemblies

##### Q/2 ab Row

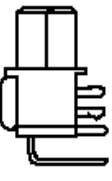
##### Soldering

##### Ordering Information

	Number of Pin	Class 2	Class 3	Option
	32	N72101	N72101-3	
	16	N72103	N72103-3	2,4,6...32 5.08mm Pitch

##### Soldering with clips

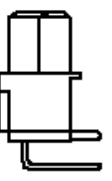
##### Ordering Information

	Number of Pin	Class 2	Class 3	Option
	32	N72111	N72111-3	
	16	N72113	N72113-3	2,4,6...32 5.08mm Pitch

##### Q/2 ab Row

##### Press-fit

##### Ordering Information

	Number of Pin	Class 2	Class 3	
	32	N72201	N72201-3	
	16	N72203	N72203-3	2,4,6...32 5.08mm Pitch
Available upon request				

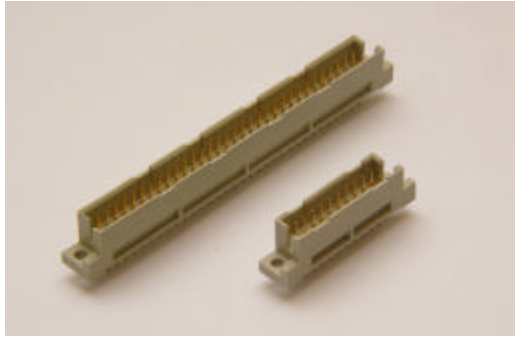
DIN 41612 and IEC 603-2

## Eurocard Connectors 2.54mm Pitch

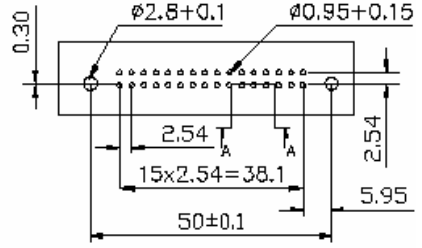
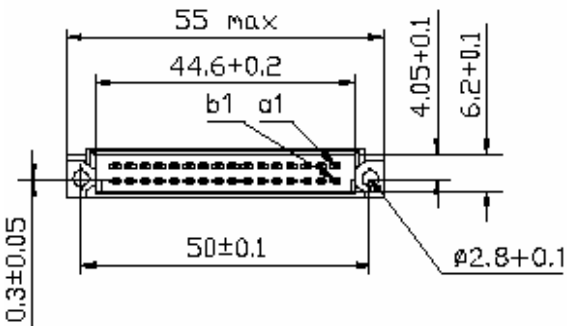
Type Q/2 (Inverse Half Sizes)  
Vertical Pin Assemblies

**Material**

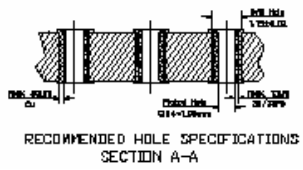
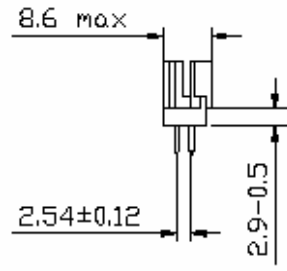
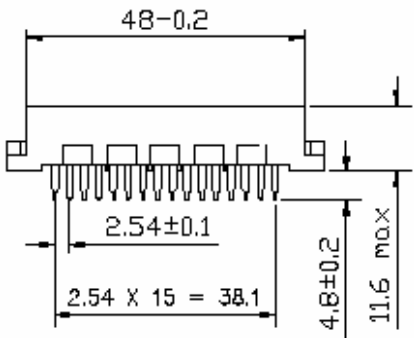
- Housing** - Polyester, grey
- Contacts** - Copper Alloy
- DIN Class 2 Plating** - 15u" Gold Plating on Mating Area. Tin Plating on Tail Area.
- Nickel Underplate Allover



All dimensions in mm



Recommended PCB Hole Layout



**How to order**

Part Number Information	I	II	III	IV - VI	VII
	N	7	3	xxx	-X
I	<b>N - DIN 41612 Connectors</b>				
II	1 - Type B	2 - Type C			
	3 - Type D	4 - Type E			
	5 - Type F	6 - Type H			
	<b>7 - Type Q</b>	8 - Type R			
	9 - Type M	0 - Accessories			
III	0 - Female	1 - Male			
	2 - 1/2 Sizes Female (Q/2)	<b>3 - 1/2 Sizes Male (Q/2)</b>			
	4 - 1/3 Size Female (Q/3)	5 - 1/3 Size Male (Q/3)			
	6 - Extend Size Female	7 - Extend Size Male			
	8 -	9 - Guide frame			
IV	xxx	Please Consult to Sales Representative to Fix the Optional			
VII	X	1- Class 1	3-Class 3	Omit-Class 2	

**Eurocard Connectors 2.54mm Pitch**

**Type Q/2 (Inverse Half Sizes)  
Vertical Pin Assemblies**

**Q/2 ab Row  
Soldering**

**Ordering Information**

	Number of Pin	Class 2	Class 3	Option
	32	N73101	N73101-3	
	16	N73103	N73103-3	2,4,6...32 5.08mm Pitch

**Q/2 ab Row  
Press Fit**

**Ordering Information**

	Number of Pin	Class 2	Class 3	Option
	32	N73201	N73201-3	
	16	N73203	N73203-3	2,4,6...32 5.08mm Pitch

**Soldering**

**Long Tail 13mm**

**Ordering Information**

	Number of Pin	Class 2	Class 3	Option
	32	N73301	N73301-3	
	16	N73303	N73303-3	2,4,6...32 5.08mm Pitch

**Press Fit**

**Long Tail 13mm**

**Ordering Information**

	Number of Pin	Class 2	Class 3	Option
	32	N73401	N73401-3	
	16	N73403	N73403-3	2,4,6...32 5.08mm Pitch

**Soldering**

**Long Tail 13mm**

**Full Gold Plating**

**Ordering Information**

	Number of Pin	Class 2	Class 3	Option
	32	N73501	N73501-3	
	16	N73503	N73503-3	2,4,6...32 5.08mm Pitch

**Press Fit**

**Long Tail 13mm**

**Full Gold Plating**

**Ordering Information**

	Number of Pin	Class 2	Class 3	Option
	32	N73601	N73601-3	
	16	N73603	N73603-3	2,4,6...32 5.08mm Pitch



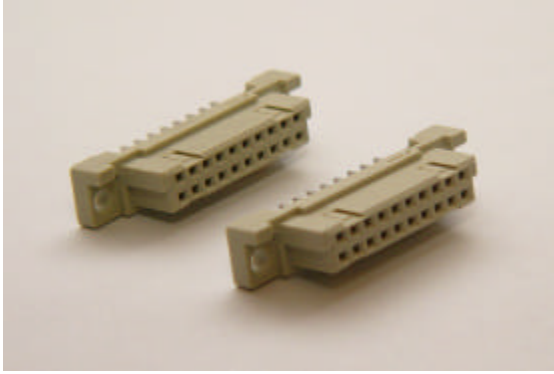
DIN 41612 and IEC 603-2

## Eurocard Connectors 2.54mm Pitch

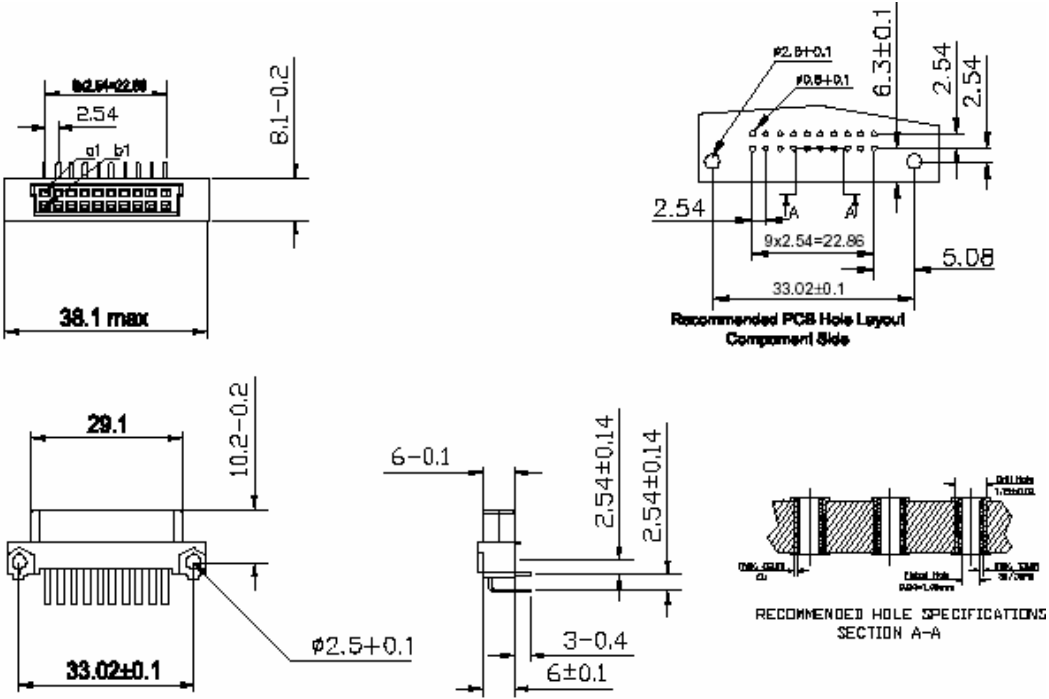
Type Q/3 (Inverse 1/3 Sizes)  
Right Angle Receptacle Assemblies

### Material

- Housing** - Polyester, grey
- Contacts** - Copper Alloy
- DIN Class 2 Plating** - 15u" Gold Plating on Mating Area. Tin Plating on Tail Area.
- Nickel Underplate Allover



All dimensions in mm



### How to order

Part Number Information	I	II	III	IV - VI	VII
	N	7	4	xxx	-X
I	<b>N - DIN 41612 Connectors</b>				
II	1 - Type B	2 - Type C			
	3 - Type D	4 - Type E			
	5 - Type F	6 - Type H			
	<b>7 - Type Q</b>	8 - Type R			
	9 - Type M	0 - Accessories			
III	0 - Female	1 - Male			
	2 - 1/2 Sizes Female (Q/2)	3 - 1/2 Sizes Male (Q/2)			
	<b>4 - 1/3 Size Female (Q/3)</b>	5 - 1/3 Size Male (Q/3)			
	6 - Extend Size Female	7 - Extend Size Male			
	8 -	9 - Guide frame			
IV	xxx	Please Consult to Sales Representative to Fix the Optional			
VII	X	1- Class 1	3-Class 3	Omit-Class 2	

**Eurocard Connectors 2.54mm Pitch**

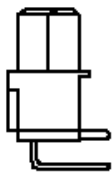
**Type Q/3 (Inverse 1/3 Sizes)**

**Right Angle Receptacle Assemblies**

**Q/3 ab Row**

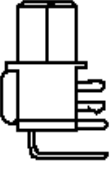
**Soldering**

**Ordering Information**

	Number of Pin	Class 2	Class 3	Option
	20	N74101	N74101-3	
	10	N74103	N74103-3	2,4,6...32 5.08mm Pitch

**Soldering with clips**

**Ordering Information**

	Number of Pin	Class 2	Class 3	Option
	20	N74111	N74111-3	
	10	N74113	N74113-3	2,4,6...32 5.08mm Pitch

**Q/3 ab Row**

**Press-fit**

**Ordering Information**

	Number of Pin	Class 2	Class 3	
	20	N74201	N74201-3	
	10	N74203	N74203-3	2,4,6...32 5.08mm Pitch
	Available upon request			

DIN 41612 and IEC 603-2

## Eurocard Connectors 2.54mm Pitch

Type Q/3 (Inverse)

Vertical Pin Assemblies

### Material

**Housing** - Polyester, grey

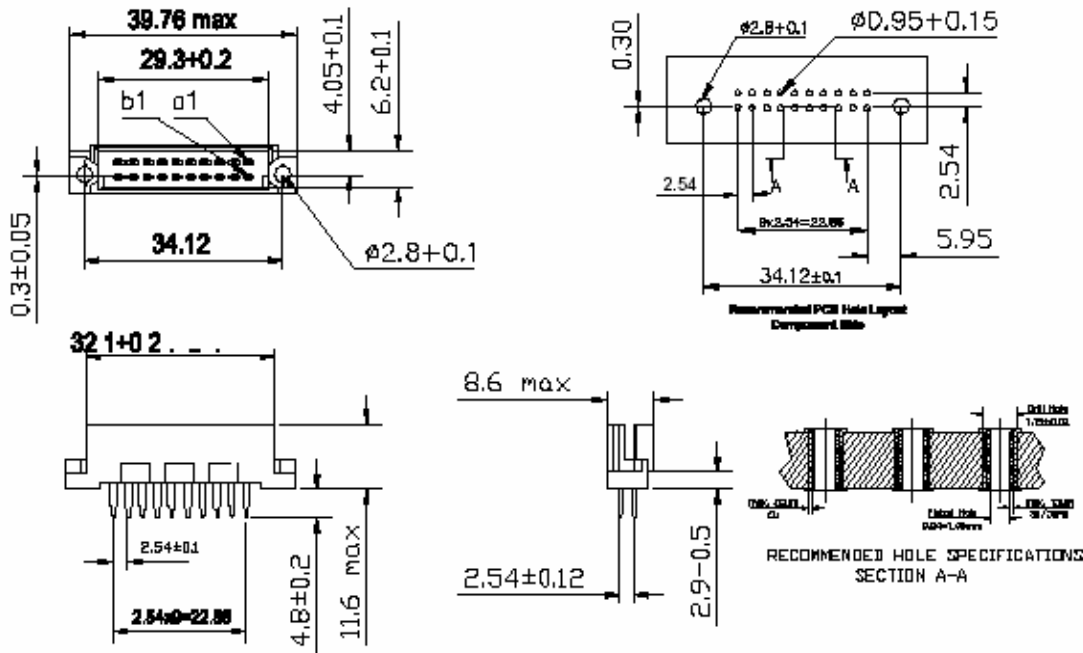
**Contacts** - Copper Alloy

**DIN Class 2 Plating** - 15u" Gold Plating on Mating Area. Tin Plating on Tail Area.

Nickel Underplate Allover



All dimensions in mm



### How to order

Part Number Information		I	II	III	IV - VI	VII
		N	7	5	xxx	-X
I	<b>N - DIN 41612 Connectors</b>					
II	1 - Type B	2 - Type C				
	3 - Type D	4 - Type E				
	5 - Type F	6 - Type H				
	<b>7 - Type Q</b>	8 - Type R				
	9 - Type M	0 - Accessories				
III	0 - Female	1 - Male				
	2 - 1/2 Sizes Female (Q/2)	3 - 1/2 Sizes Male (Q/2)				
	4 - 1/3 Size Female (Q/3)	<b>5 - 1/3 Size Male (Q/3)</b>				
	6 - Extend Size Female	7 - Extend Size Male				
	8 -	9 - Guide frame				
IV	xxx	Please Consult to Sales Representative to Fix the Optional				
VII	X	1- Class 1	3-Class 3	Omit-Class 2		

**Eurocard Connectors 2.54mm Pitch**

**Type Q/3 (Inverse 1/3 Sizes)**

**Vertical Pin Assemblies**

**Q/3 ab Row**

**Soldering**

**Ordering Information**

	Number of Pin	Class 2	Class 3	Option
	20	N75101	N75101-3	
	10	N75013	N75013-3	2,4,6...32 5.08mm Pitch

**Q/3 ab Row**

**Press Fit**

**Ordering Information**

	Number of Pin	Class 2	Class 3	Option
	20	N75201	N75201-3	
	10	N75203	N75203-3	2,4,6...32 5.08mm Pitch

**Soldering**

**Long Tail 13mm**

**Ordering Information**

	Number of Pin	Class 2	Class 3	Option
	20	N75301	N75301-3	
	10	N75303	N75303-3	2,4,6...32 5.08mm Pitch

**Press Fit**

**Long Tail 13mm**

**Ordering Information**

	Number of Pin	Class 2	Class 3	Option
	20	N75401	N75401-3	
	10	N75403	N75403-3	2,4,6...32 5.08mm Pitch

**Soldering**

**Long Tail 13mm**

**Full Gold Plating**

**Ordering Information**

	Number of Pin	Class 2	Class 3	Option
	20	N75501	N75501-3	
	10	N75503	N75503-3	2,4,6...32 5.08mm Pitch

**Press Fit**

**Long Tail 13mm**

**Full Gold Plating**

**Ordering Information**

	Number of Pin	Class 2	Class 3	Option
	20	N75601	N75601-3	
	10	N75603	N75603-3	2,4,6...32 5.08mm Pitch