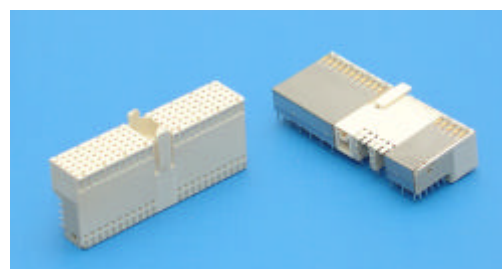


**CompactPCI J1 J4**

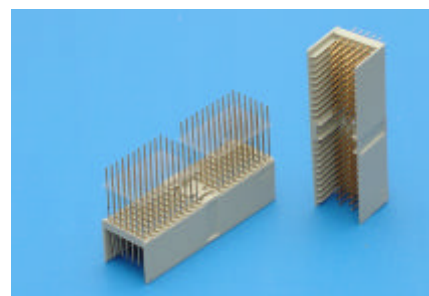


Press fit tools	Upper set	H06149
	Lower set	H06949

Type	Used For	No. of Pin	Class	Part Number
Connector without Shielding	J1,J4	110	II	H10001
Connector with Upper Shielding	J1,J4	110	II	H10002
Connector with shielding cPCI Telephony Spec	J4 Telecom	90	II	H10007
Upper shield			II	H10008
Lower shield			II	H10004
Connector with shielding cPCI Telephony Spec	rJ4 Telecom	90	II	H10009

**CompactPCI P1 P4**

Press fit tools	Upper set	H06128
	Lower set	H06901

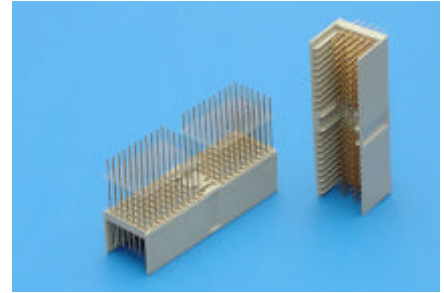


**Male Short Tail Terminal**

Contact Loading	Used For	No. of Pin	Class	Part Number
	P4 Telecom	100	II	H11006
	P1	154	II	H11008
	P1 per PICMG 2.0 R2.1	154	II	H11010

**CompactPCI P1 P4**

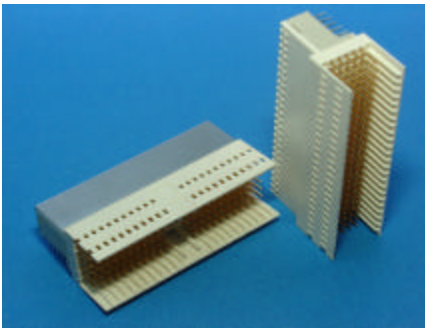
Press fit tools	Upper set	H06128
	Lower set	H06901



Male Long Tail Terminal for Shrouding

Contact Loading	Used For	No. of Pin	Class	Part Number
	P4	154	II	H15004
	P4	154	II	H15007
	P4 Telecom	100	II	H15009
	P1 Special	154	II	H15010
	P4	154	II	H15017
	P1	154	II	H15018
	P4	154	II	H15020

Type A Right Angle Male



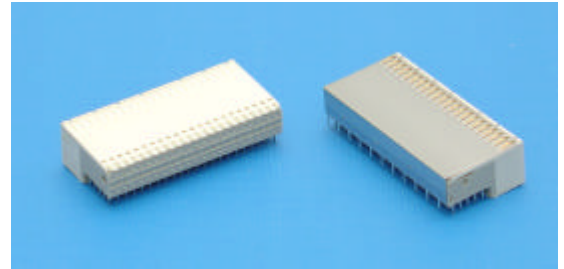
Press fit tools	Upper set	H06149
	Lower set	H06749

Contact Loading	Layout	No. of Pin	Class	Part Number
		132	II	H19001
		132	II	H19002
		132	II	H19003
		110	II	H19004
		110	II	H19005
		110	II	H19006



### CompactPCI J2 J5

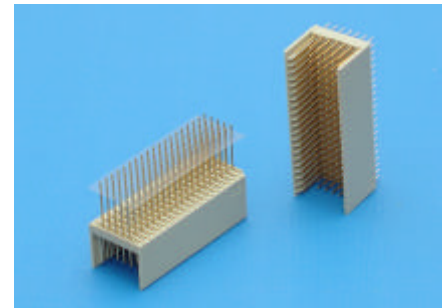
Press fit tools	Upper set	H06151
	Lower set	H06951



Type	Used For	No. of Pin	Class	Part Number
Connector without Shielding	J2, J5	110	II	H20111
Connector with Upper Shielding	J2, J5	110	II	H20112
Upper shield			II	H20114
Lower shield			II	H20115

### CompactPCI P2 P5

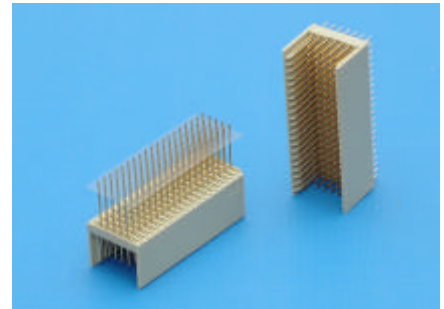
Press fit tools	Upper set	H06130
	Lower set	H06902



### Male Short Tail Terminal

Contact Loading	Used For	No. of Pin	Class	Part Number
	P2, P5	154	II	H21113
	P5 Telecom	154	II	H21115

**CompactPCI P2, P5**



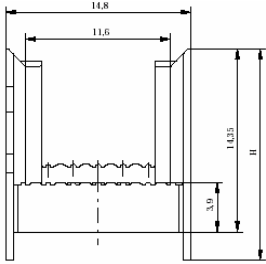
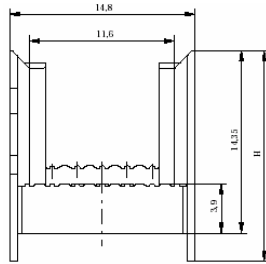
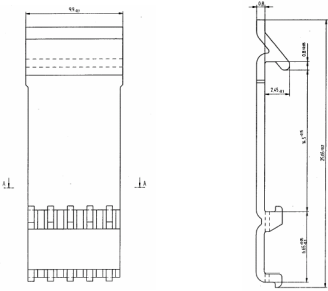
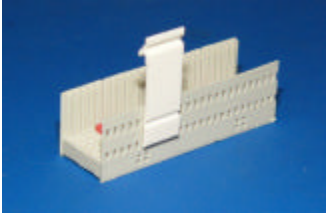
Press fit tools	Upper set	H06130
	Lower set	H06902

Male Long Tail Terminal for Shrouding

Contact Loading	Used For	No. of Pin	Class	Part Number
	P2	154	II	H25111
	P2, P5	154	II	H25112
	P2 AB Compatible	154	II	H25114
	P2 AB Compatible	154	II	H25115
	P2 AB Compatible	132	II	H25116
	P5 AB Compatible	132	II	H25119



B22 Shroud for Long Tail Terminal

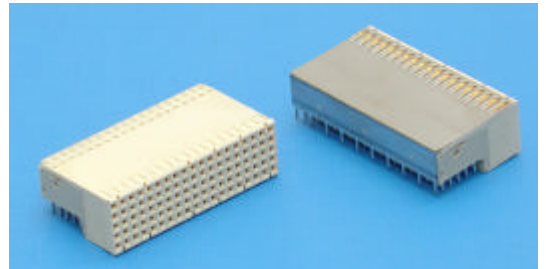
Layout	Used For	Height	Class	Part Number
		14.95		H28153
		14.35		H28154
		<p>Latch Arm H08597</p>		

Press fit	Upper set	H06130
tools	Lower set	H06902



## CompactPCI J3

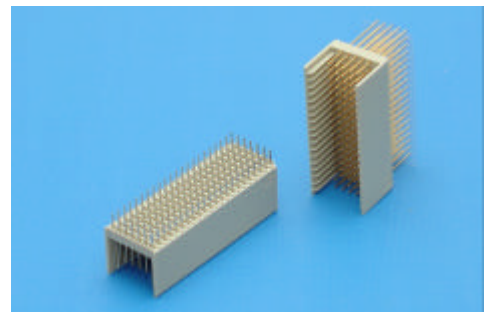
Press fit tools	Upper set	H06152
	Lower set	H06952



Type	Used For	No. of Pin	Class	Part Number
Connector without Shielding	J3	95	II	H20221
Connector with Upper Shielding	J3	95	II	H20222
Upper shield			II	H20223
Lower shield			II	H20224

## CompactPCI P3

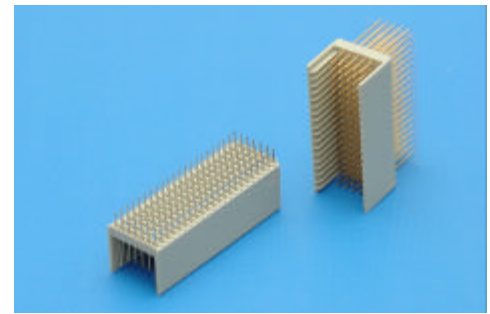
Press fit tools	Upper set	H06131
	Lower set	H06903



## Male Short Tail Terminal

Contact Loading	Used For	No. of Pin	Class	Part Number
	P3	133	II	H21223

**CompactPCI P3**

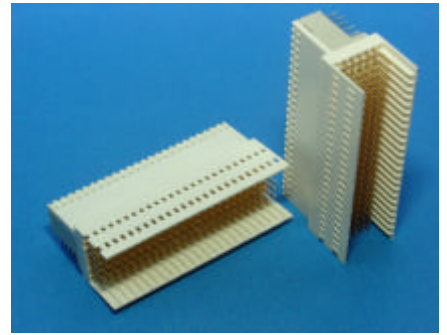


Press fit tools	Upper set	H06131
	Lower set	H06903

Male Long Tail Terminal for Shrouding

Contact Loading	Used For	No. of Pin	Class	Part Number
	P3	133	II	H25223
	P3	133	II	H25225
	P3	133	II	H25226
	P3	114	II	H25227

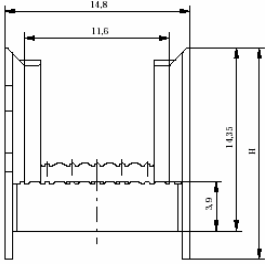
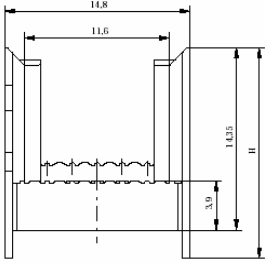
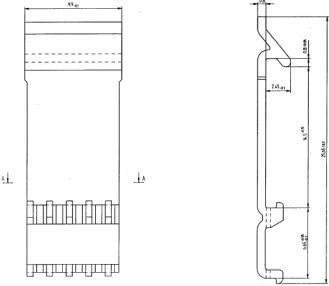
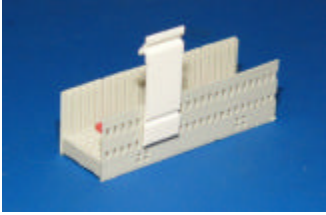
Type B19 Right Angle Male



Press fit tools	Upper set	H06152
	Lower set	H06752

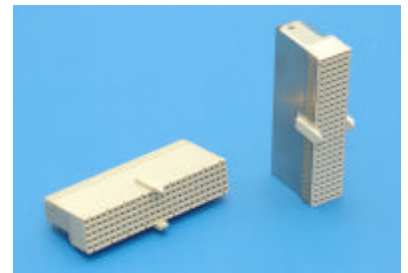
Contact Loading	Layout	No. of Pin	Class	Part Number
191817161514131211109 8 7 6 5 4 3 2 1 		132	II	H29215
191817161514131211109 8 7 6 5 4 3 2 1 		132	II	H29216
191817161514131211109 8 7 6 5 4 3 2 1 		132	II	H29217
191817161514131211109 8 7 6 5 4 3 2 1 		110	II	H29218
191817161514131211109 8 7 6 5 4 3 2 1 		110	II	H29219
191817161514131211109 8 7 6 5 4 3 2 1 		110	II	H29220

B19 Shroud for Long Tail Terminal

Layout	Used For	Height	Class	Part Number
		14.95		H28255
		14.35		H28256
		<p>Latch Arm H08597</p>		

ress	Upper set	H06131
tools	Lower set	H06903

**CompactPCI rJ2, rJ5**



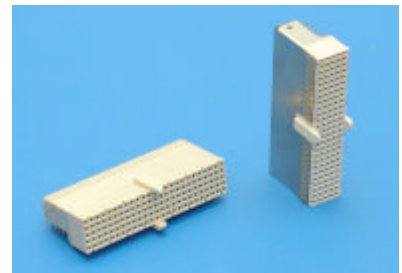
Press fit tools	Upper set	H06151
	Lower set	H06951

Type	Used For	No. of Pin	Class	Part Number
Connector without Shielding	rJ2, rJ5	110	II	H40113
Connector with Upper Shielding	rJ2, rJ5	110	II	H40114
Upper shield			II	H40115
Lower shield			II	H40116

**rP2, rP5 Shroud for Long Tail Terminal**

Layout	Used For	Height	Class	Part Number
	rP2,rP5	14.95		H48153
	rP2,rP5	14.35		H48154
				Latch Arm H08597

**CompactPCI rJ3**



Press fit tools	Upper set	H06152
	Lower set	H06952

Type	Used For	No. of Pin	Class	Part Number
Connector without Shielding	rJ3	95	II	H40225
Connector with Upper Shielding	rJ3	95	II	H40226
Upper shield			II	H40227
Lower shield			II	H40228

**rP3 Shroud for Long Tail Terminal**

Contact Loading	Used For	Height	Class	Part Number
	rP3	14.95		H48255
	rP3	14.35		H48256
				Latch Arm H08597

#### Coding Key

				Mounting Device for Coding Keys				H03001
For Male Connector	Key	Color	Part Number	For Female Connector	Key	Color	Part number	
	1236	Nut brown	H03151		4578	Nut brown	H03941	
	1248	Strawberry red	H03150		3567	Strawberry red	H03940	
	1356	Blue lilac	H03148		2478	Blue lilac	H03938	
	1567	Brilliant blue	H03147		2348	Brilliant blue	H03937	
	2578	Reseda green	H03146		1346	Reseda green	H03936	
	3456	Cadmium yellow	H03145		1278	Cadmium yellow	H03935	
	3467	Slate grey	H03144		1258	Slate grey	H03934	
	3478	Steel blue	H03143		1256	Steel blue	H03933	
	3568	Pastel orange	H03142		1247	Pastel orange	H03932	
	4678	Ochre yellow	H03149		1235	Ochre yellow	H03939	
<p>For Male Connector Key Layout</p>				<p>For Female Connector Key Layout</p>				